



Ball Valve Servo

The BVS is a motor to retrofit existing and installed ball valves into smart water controlling devices. Its wireless communication capabilities are compatible with the Z-Wave industry standard for easy integration into existing networks. The motor is powered by a 12 V external power supply or - optional – a battery block. The variable clamps allow mounting even in complex pipe installations, the patented motor coupling ensures easy installation and precise long-term operation. The device can operate in difficult environmental conditions, even submerged under water and allows to directly connect one additional local water sensor pad by cable.



Simple, Tools-Free.

Snap on Just snap on and turn 2 knobs
Done in 10 seconds!



Smart Adaptive Torque Control to protect motor, valve and pipe for long term operation



Optional Backup Battery

Universal 12 V power allows integration or low voltage power supply



Elbow proof

BVS can be installed on pipe elbows by adjustable clamps position



Outdoor Proof

(Recommend to use with outdoor power adapter -sold separately)

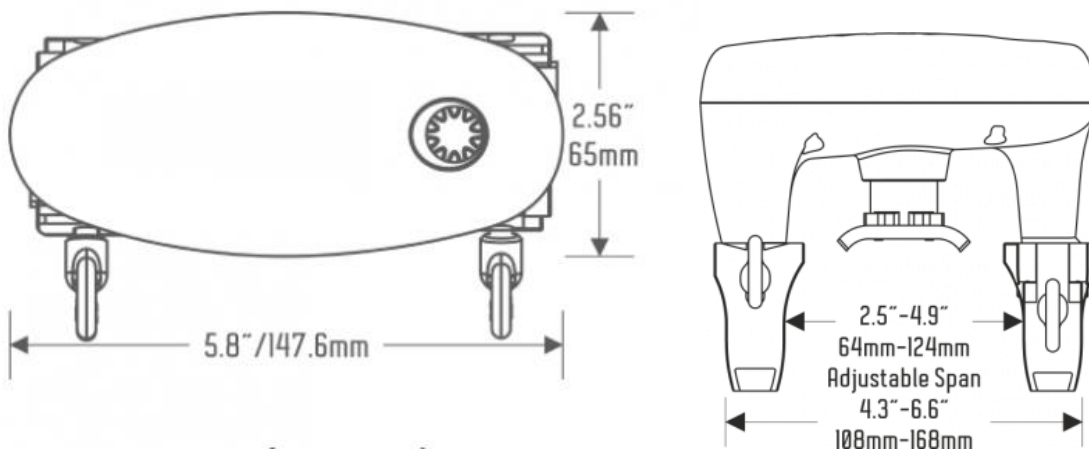


Integrated Water Detection Probe and

Freeze Detection
Works Offline



Dimensions:



Technical Data:

- SKU: BVSZWE, EAN: 489705830030
- Power Supply: 12 V / 1 A external power supply (part of shipment)
- Max Driving Force: 6 Nm
- Valve Control: Full open/Close, any position in between down to 1 % stepping
- Controls and interfaces:
 - Tree Color LED (red, yellow, green)
 - Single button for pairing, unpairing, local operation and alarm clearing
 - Jack to plug-in external water sensor pad for local loop operation.
- Installation:
 - Pipe Valves: ½ inch ... 1 ¼ inch
 - Inter Clamp Clearance: 64 ... 124 mm user adjustable
 - Install on elbows: 99 %, connection bar for close elbow available on demand
 - Outdoor Use: IP67 (to power supply coupling)
- RF Communication LoRaWAN
 - Radio Chip: SX 1261
 - Standard: Class C
 - Frequency: 868...869 MHz
 - Range: 60 ... 140 m (depends on gateway)
 - Network Joining: OTAA
- Dimensions and Shipment:
 - Weight: 800 gr.
 - Dimension of Packaging 236 x 179 x 114 mm
 - Gross Weight: 1147 gr
 - Product per Carton: 12
 - UN Customs Tariff: 85011093900
- Environmental Conditions:
 - Shipment and Storage: -65 °C ... 100 °C
 - Operation: - 30 °C ... 80 °C

