

LPN Modbus Bridge

Highlights

- Compact and easy to mount
- Protection class IP65
- LoRa® Class C
- Modbus RTU or ASCII
- USB for setup
- Approx. 10 km range



RF Performance

- 14 dBm TX-Power
- -137 dBm RX-Sensitivity
- Approx. 10 km range

Interfaces

- Modbus RTU / ASCII
- USB (for LoRa Setup)

Power supply

- Input voltage +24VDC (10..36VDC)
- Input current max. 50mA (Typ. 4.5mA @ 24VDC)

Indicators

- 4 Status LEDs

Mechanics

- Housing: Polyamide (PA 6-GB 30)
- Dimensions (L x W x H) 150mm x 58mm x 35mm (incl. antenna)

Environment

- Protection class IP65
- Operating temperature -25°C to +60°C
- Storage temperature -40°C to 85°C
- Rel. humidity 0% to 95% (not condensing)

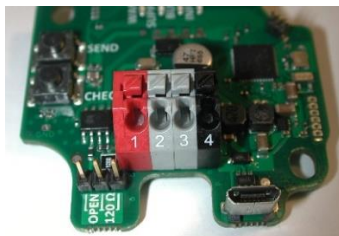
Reference

- LPN Modbus Bridge technical manual

Norm & Safety

- EN 62368-1

Supply, Communication & Indicators

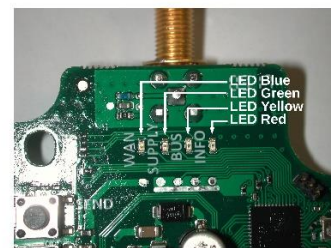


Pin Nr.	Pin description	Signal
1	+24VDC (10..36VDC)	Input
2	RxTx+ (Modbus RS-485)	Input/Output
3	RxTx- (Modbus RS-485)	Input/Output
4	GND	Input

(Look up technical manual for more information)

LED Name	Function	Blinking interval
LED Blue	LoRa Status	Off/12%/50%/88%/On
LED Green	Supply	100ms (Downlink)
LED Yellow	RS-485/Modbus Status	Off/12%/50%/88%/On
LED Red	Info	Off/12%

(Look up technical manual for more information)



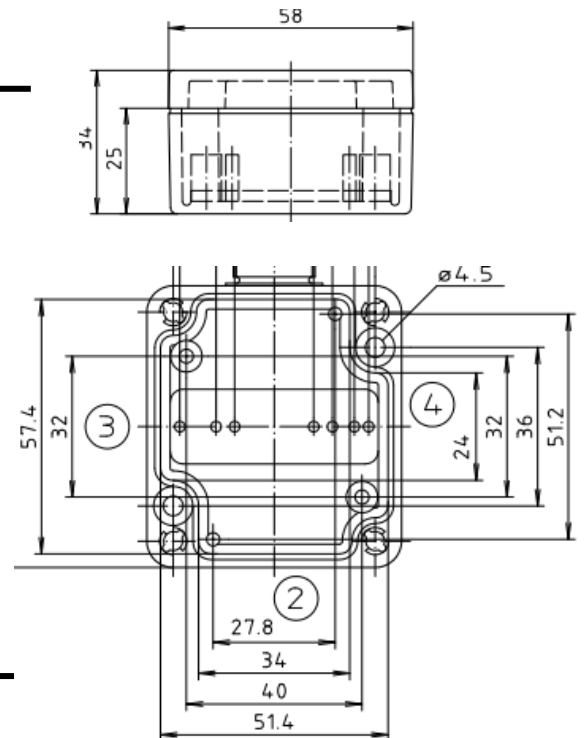
Firmware Variants

Order number	Description
LPN Modbus Bridge - 001	Easy Firmware (Standard)
LPN Modbus Bridge - 002	Advanced Firmware, Extended Functions
LPN Modbus Bridge - 01x	Custom specific variants

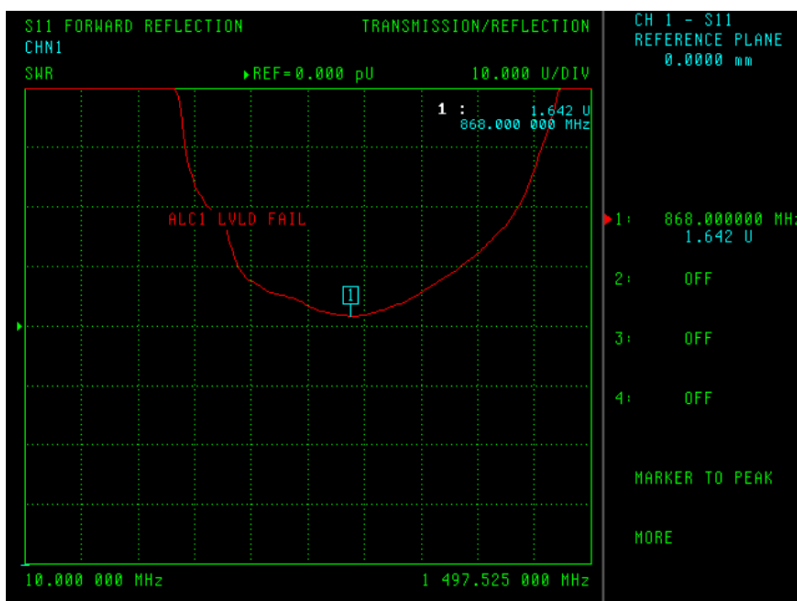
Mechanical Dimensions



170mm



Antenna Characteristic



Parameter	Description
Band	868 MHz
Nominal Imp.	50 Ohm
Polarisation	Vertikal
VSWR	2.0 : 1
Connector	SMA
Dimension	85.4mm
Waterproof	IP65