

DecentLab



DL-PM DATASHEET

PARTICULATE MATTER, TEMPERATURE, HUMIDITY AND
BAROMETRIC PRESSURE SENSOR FOR LORAWAN®

FEATURES

MCERTS-certified particulate matter (PM) sensor based on laser scattering.

Industry standard humidity and temperature sensor.

High accuracy barometric pressure sensor.

Place and measure: no setup required.

Compatible with LoRaWAN® networks of any provider.

Robust polycarbonate enclosure: weatherproof, impact-, UV-resistant.

Separate external 5 V power supply for the PM sensor.

Standard alkaline (C-type) batteries for the other sensors, controller and transmission part.

CE compliant, Radio Equipment Directive (RED) 2014/53/EU.

APPLICATIONS

General indoor and outdoor air quality monitoring.

Global environmental surveillance.

Indoor air quality monitoring in offices, class rooms, hospitals, stores or malls.

Heating, ventilation and air conditioning (HVAC) control: for good indoor air quality and energy savings.

DESCRIPTION

Decentlab's outdoor-ready air quality monitor continuously measures particulate matter (PM) concentration, temperature, humidity and barometric pressure.

Sensor data are transmitted in real-time using LoRaWAN® radio technology. LoRaWAN® enables encrypted radio transmissions over long distances while consuming very little power. The user can obtain sensor data through Decentlab's data storage and visualization system, or through the user's own infrastructure. Visit www.decentlab.com for more information about Decentlab's data cloud service.

DEVICE VARIANTS

Name	Variant
DL-PM-001	001

DEVICE SPECIFICATIONS

DEVICE LOGGING FUNCTION

Sampling interval	30 sec (configurable through the user interface)
Data upload interval	10 min (configurable through the user interface)
Reported sensor data (average of samples)	Battery voltage PM1.0, PM2.5, PM4, PM10 mass concentration ($\mu\text{g}/\text{m}^3$) PM0.5, PM1.0, PM2.5, PM4, PM10 number concentration ($\#/\text{m}^3$) Typical particle size Air humidity and temperature Barometric pressure

PM SENSOR

Operating principle	Optical laser scattering
Measurement range	0 ... 1000 $\mu\text{g}/\text{m}^3$ 0 ... 3000 $\#/\text{m}^3$
Mass concentration precision ¹ for PM1 and PM2.5	$\pm 10 \mu\text{g}/\text{m}^3$ (0 ... 100 $\mu\text{g}/\text{m}^3$) $\pm 10 \%$ (100 ... 1000 $\mu\text{g}/\text{m}^3$)
Mass concentration precision for PM4 and PM10 ²	$\pm 25 \mu\text{g}/\text{m}^3$ (0 ... 100 $\mu\text{g}/\text{m}^3$) $\pm 25 \%$ (100 ... 1000 $\mu\text{g}/\text{m}^3$)
Mass concentration size range ³	PM1.0: 0.3 ... 1.0 μm PM2.5: 0.3 ... 2.5 μm PM4: 0.3 ... 4.0 μm PM10: 0.3 ... 10.0 μm
Number concentration size range	PM0.5: 0.3 ... 0.5 μm PM1.0: 0.3 ... 1.0 μm PM2.5: 0.3 ... 2.5 μm PM4: 0.3 ... 4.0 μm PM10: 0.3 ... 10.0 μm
Lower limit of detection	0.3 μm

TEMPERATURE SENSOR

Operating principle	Digital CMOSens [®] technology
Measurement range	-40 ... 125 °C
Accuracy (typical)	$\pm 0.3 \text{ °C}$

1 Precision meaning the variation between parts or device-to-device variation.

2 PM4 and PM10 values are calculated based on a distribution profile of all measured particles.

3 PMx defines particles with a size smaller than x micrometers, e.g. PM2.5: particles smaller than 2.5 μm .

HUMIDITY SENSOR

Operating principle	Digital CMOSens [®] technology
Measurement range	0 ... 100 % RH
Accuracy (typical)	±2 % RH

BAROMETRIC PRESSURE SENSOR

Operating principle	Piezo-resistive absolute pressure sensor
Operation range	300 ... 1100 hPa, -40 ... 85 °C
Accuracy (typical)	±1 hPa

RADIO / WIRELESS

Wireless technology	LoRaWAN [®]
Wireless security	AES-128 data encryption
LoRaWAN [®] device type	Class A end-device
Supported LoRaWAN [®] features	OTAA, ABP, ADR, adaptive channel setup
Wireless range	> 10 km (line of sight ⁴), approx. 2 km (suburban)
RF transmit power	14 dBm (25 mW)
Effective radiated power	11.9 dBm ⁵
Receiver sensitivity	-146 dBm (specified by radio chip vendor)
Frequency bands	868 MHz (EU version), 915 MHz (US, AS, AU versions) ⁶
Antenna	Integrated omnidirectional antenna featuring a near-perfect radiation pattern ⁵

4 Decentlab reports successful transmissions over 56 km distance

5 See Appendix A: Antenna performance

6 Contact us for region specific options

POWER SUPPLY

Principle	The device requires both an external power supply and batteries. External power supply: for the PM sensor exclusively. If the external power supply is not connected, the device operates normally, but omitting PM sensor data. Batteries: for the temperature, humidity, pressure sensors, controller and transmission part. If the batteries are empty, the device does not operate.
External power supply	5.0 VDC regulated (min. 4.5 V, max. 5.5 V), 0.1 A max. Connector: M8 panel connector, threaded, male, 4 positions. Mating part (cable): e.g. Phoenix Contact 1506891, Lumberg Automation RKMCK 4. Wiring: pin 1, 2: +5 V; pin 3, 4: GND.
Internal battery type	2 × alkaline C batteries (LR14)
Battery lifetime ⁷	8 years (10 min send interval, SF7) 3 years (10 min send interval, SF12)

OPERATING CONDITIONS

Temperature	-10 ... 50 °C
Humidity	0 ... 95 % RH (non-condensing)

MECHANICAL SPECIFICATIONS

Dimensions	122 × 81 × 67 mm
Weight	400 g including batteries (270 g without batteries)
Enclosure	Polycarbonate (weatherproof, impact-, UV-resistant). Air inlet on the bottom: protected by shroud and a fine-meshed stainless grid.

⁷ Including alkaline battery self-discharge of 3.6 % per year (conservative estimation); battery capacity: 20000 mWh.

OPERATING INSTRUCTIONS

The product usually requires no user interaction. If you open the enclosure, e.g. in order to replace the batteries, unscrew the four plastic screws and carefully open the lid.

CAUTION: Make sure the sensor unit does not drop out of the enclosure while opening! Do not touch the electronic components and sensors!

NOTE: When closing the lid, make sure the lid is fitted the right way, so that the enclosure is properly sealed: A little nose in the enclosure fits a notch in the lid and vice versa.

REPLACING BATTERIES

Insert 2 high-quality alkaline C batteries (LR14) into the battery holder on top of the sensor unit. The device operates until the battery voltage drops to 2.0 V. Always replace both battery cells with two identical fresh batteries.

OPERATING MODES

The device has four operating modes:

- Reset: System (re-)start; both LEDs fade in and out.
- Active mode (ON): Periodic measurements and data transmissions; green LED flashes for each measurement.
- Sleep mode (OFF): No measurements and data transmissions (power save mode, for shelf storage). LEDs are off.
- Test mode: Measurements and data transmissions at fastest possible rates; blue LED is on.
NOTE: Use only momentarily, e.g. for testing the sensor or the wireless connection. The device will switch automatically to active mode after 20 minutes.

SWITCHING BETWEEN OPERATING MODES

The user button allows to switch between the operating modes as shown in Illustration 1 and Illustration 2. To perform a device reset, switch to sleep mode first (if necessary) by pushing and holding the button for 3 seconds until the LEDs flash three times; wait 3 seconds; then push and hold the button for 3 seconds until the LEDs fade in and out. To switch between active and test mode, push the button for 1 second (blue LED on / off). If the blue LED is off, the device is in active or sleep mode. If the blue LED is on, the device is in test mode.

HINT: To check whether the device is active or in sleep mode (on or off), push the button twice; if the blue LED goes on and off, the device is in active mode; otherwise, the device is in sleep mode.

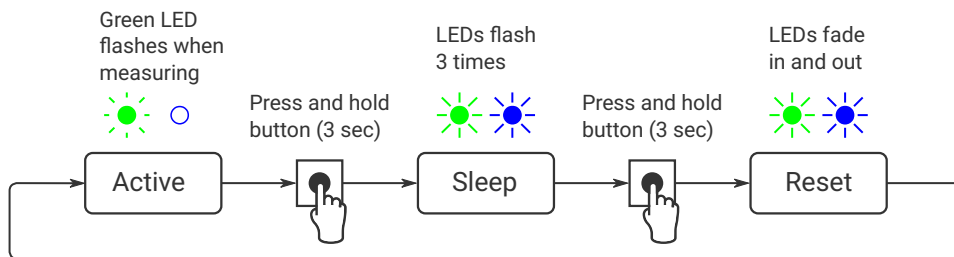


Illustration 1: Switching between active and sleep mode (switch off / on, reset).

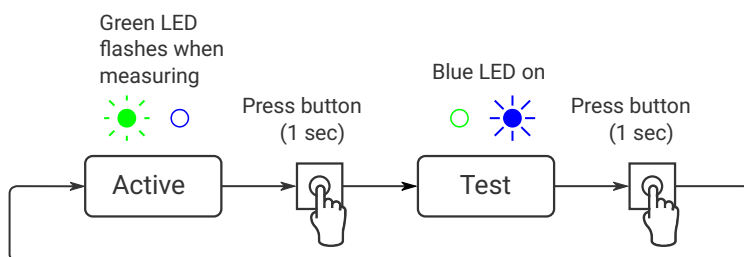


Illustration 2: Switching between active and test mode.

MEASUREMENT CYCLE (ACTIVE MODE)

During the active mode, the device periodically reads the sensors with sampling period T_s (default: 30 seconds). When the send period $T_{TX} = n \cdot T_s$ (default: $n = 20$) has expired, the device computes the average of the collected sensor values (at most 120 values). After a random delay of 0 ... 8 seconds, the device transmits the aggregated sensor data. If the device has not yet joined the LoRaWAN® network, it will try to join until it succeeds (maximum 3 attempts per sampling period). Afterwards, it will transmit the data (TX data). Following the data transmission, two receive slots are opened (RX1 and RX2). During these time slots, the device is ready to receive data from the network (downlink messages) as defined in the LoRaWAN® specification.

As shown in the diagrams, the device is idle most of the time. During the idle time, the current consumption is extremely low.

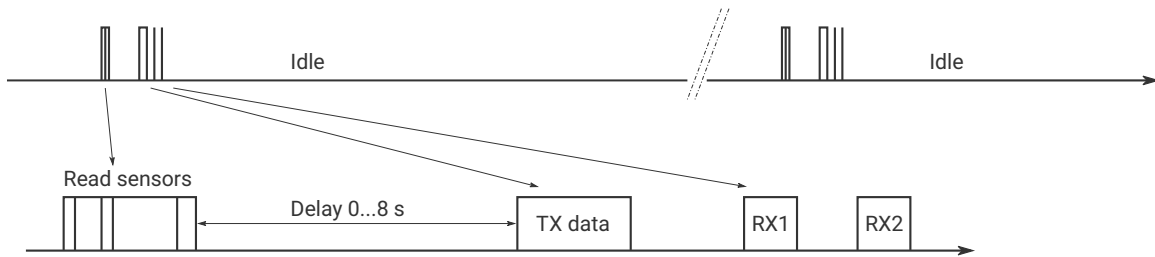


Illustration 3: Device activity during the active mode.

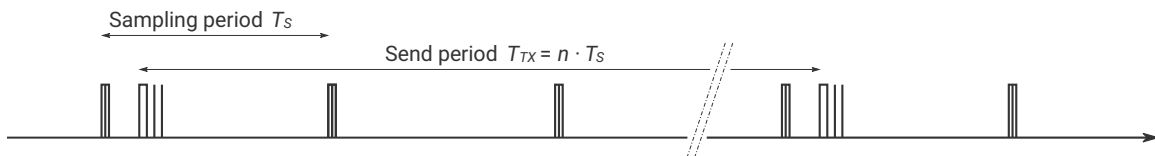


Illustration 4: Sampling period vs. send period. Default: $T_s = 30$ s, $T_{TX} = 20 \cdot 30$ s = 600 s = 10 min.

LED SIGNALING (ACTIVE MODE)

- Read sensors: green LED flashes once.
- Data sent successfully: green LED flashes 2 times.
- Data could not be sent: green LED flashes 4 times.

DEVICE CONFIGURATION

The user can configure a rich set of device parameters, such as sampling interval, LoRaWAN[®] data rate, ADR settings and many more. If desired, the parameter settings can be stored permanently in the internal non-volatile memory. The user can configure the device via two interfaces:

- Command line interface: via a serial cable (UART – USB) connected to a computer.
- Downlink command interface: over the air using LoRaWAN[®] downlink messages.

For a full description of the command line interface and the downlink command interface, please find the specific documents on www.decentlab.com/support.

MOUNTING INSTRUCTIONS

Mount the device in upright position, the air inlet facing downward. Prefer a mounting location which is protected against rain and direct sun radiation in order to achieve best sensor data quality.

For best radio performance, install the device upright with the opening towards ground; ideally, in such a way that the device lid faces roughly in the direction of the next gateway. Also, the higher above ground, the better. Avoid metallic objects close to the device.

The housing includes 4 threaded bushes (M4) in a 90 × 60 mm rectangle (see Illustration 5). This enables easy installation using standard M4 bolts.

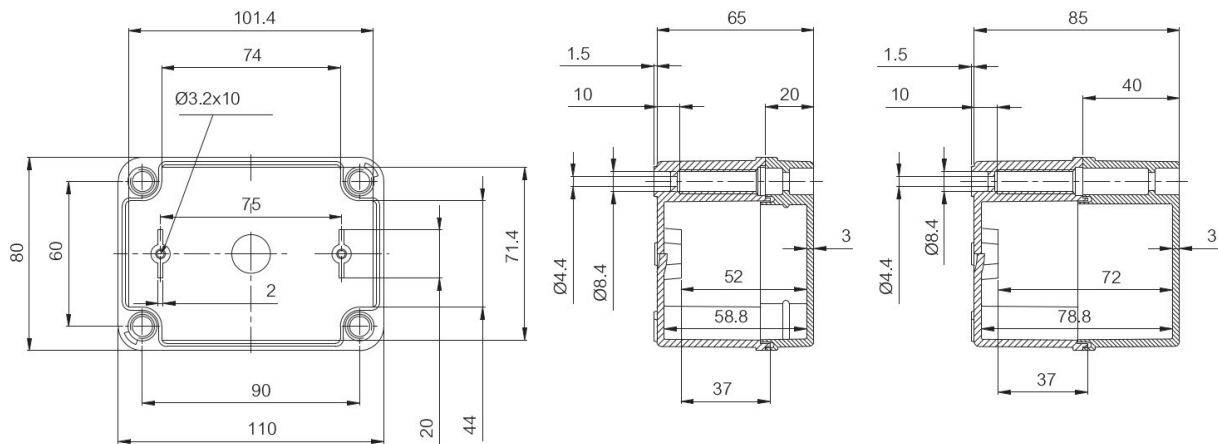


Illustration 5: Housing dimensions (in mm). Note: Drawing not including air inlet.

ORDERING INFORMATION

REFERENCE	VERSION	REGION (LORAWAN®)
DL-PM-001-EU868	001	Europe
DL-PM-001-US915	001	North America
DL-PM-001-AS923	001	Asia
DL-PM-001-AU915	001	Australia, South America

Other options: contact us

SENSOR DATA MESSAGE FORMAT

Message:

Header	Sensor 0 data (optional)	Sensor 1 data (opt.)	...	Sensor 15 data (opt.)
--------	--------------------------	----------------------	-----	-----------------------

- Message length is variable, depending on which sensor data are included. Minimum length is 5 bytes (header only). Maximum length is 5 bytes + all sensor data (see below).
- Integers are big endian: MSB first byte, LSB last byte.

Header:

Version	Device ID	Flags
---------	-----------	-------

- Version: 1 byte; version = 2 for current protocol version.
- Device ID: 2 bytes; 0...65535.
- Flags: 16 bits: flag 15 | flag 14 | ... | flag 0 (LSB).
- The flags indicate, if data of the respective sensors are included in the message or not:
Flag n == 1: sensor n data included; flag n == 0: not included.

DECODER SOFTWARE

For message decoder software, please go to <https://www.decentlab.com/support>, where you find code examples in JavaScript and other programming languages.

DETAILS

FIELD	PARAMETER NAME	TYPE	CONVERSION	UNIT
Header	Version	uint8		
Header	Device ID	uint16		
Header	Flags	uint16		
Sensor 0	Battery voltage	uint16	$x / 1000$	V
Sensor 1	PM1.0 mass concentration	uint16	$x / 10$	$\mu\text{g}/\text{m}^3$
Sensor 1	PM2.5 mass concentration	uint16	$x / 10$	$\mu\text{g}/\text{m}^3$
Sensor 1	PM4 mass concentration	uint16	$x / 10$	$\mu\text{g}/\text{m}^3$
Sensor 1	PM10 mass concentration	uint16	$x / 10$	$\mu\text{g}/\text{m}^3$
Sensor 1	Typical particle size	uint16	x	nm
Sensor 1	PM0.5 number concentration	uint16	$x / 10$	$\#/\text{m}^3$
Sensor 1	PM1.0 number concentration	uint16	$x / 10$	$\#/\text{m}^3$
Sensor 1	PM2.5 number concentration	uint16	$x / 10$	$\#/\text{m}^3$
Sensor 1	PM4 number concentration	uint16	$x / 10$	$\#/\text{m}^3$
Sensor 1	PM10 number concentration	uint16	$x / 10$	$\#/\text{m}^3$
Sensor 2	Air temperature	uint16	$x / 65536 \cdot 175.72 - 46.85$	$^{\circ}\text{C}$
Sensor 2	Air humidity	uint16	$x / 65536 \cdot 125 - 6$	%
Sensor 3	Barometric pressure	uint16	$x \cdot 2$	Pa

EXAMPLE 1 (ALL SENSOR DATA INCLUDED)

Message (hex):

021b5000f0c25002500270027002701f50107012c012d012d012d67bd618dbd10

02	Version	=	2	
1b50	Device ID	=	6992	
000f	Flags	=	0b0000000000001111	
0c25	Battery voltage	=	3.109	V
0025	PM1.0 mass concentration	=	3.7	ug/m3
0027	PM2.5 mass concentration	=	3.9	ug/m3
0027	PM4 mass concentration	=	3.9	ug/m3
0027	PM10 mass concentration	=	3.9	ug/m3
01f5	Typical particle size	=	501	nm
0107	PM0.5 number concentration	=	26.3	#/m3
012c	PM1.0 number concentration	=	30.0	#/m3
012d	PM2.5 number concentration	=	30.1	#/m3
012d	PM4 number concentration	=	30.1	#/m3
012d	PM10 number concentration	=	30.1	#/m3
67bd	Air temperature	=	24.36	deg
618d	Air humidity	=	41.63	%
bd10	Barometric pressure	=	96800	Pa

EXAMPLE 2 (PM SENSOR DATA NOT INCLUDED)

Message (hex):

021b5000d0c2567bd618dbd10

02	Version	=	2	
1b50	Device ID	=	6992	
000d	Flags	=	0b0000000000001101	
0c25	Battery voltage	=	3.109	V
----	PM1.0 mass concentration	=	---	ug/m3
----	PM2.5 mass concentration	=	---	ug/m3
----	PM4 mass concentration	=	---	ug/m3
----	PM10 mass concentration	=	---	ug/m3
----	Typical particle size	=	---	nm
----	PM0.5 number concentration	=	---	#/m3
----	PM1.0 number concentration	=	---	#/m3
----	PM2.5 number concentration	=	---	#/m3
----	PM4 number concentration	=	---	#/m3
----	PM10 number concentration	=	---	#/m3
67bd	Air temperature	=	24.36	deg
618d	Air humidity	=	41.63	%
bd10	Barometric pressure	=	96800	Pa

EXAMPLE 3 (ONLY BATTERY VOLTAGE)

Message (hex):

021b5000010c25

02	Version	=	2	
1b50	Device ID	=	6992	
0001	Flags	=	0b0000000000000001	
0c25	Battery voltage	=	3.109	V
----	PM1.0 mass concentration	=	---	ug/m3
----	PM2.5 mass concentration	=	---	ug/m3
----	PM4 mass concentration	=	---	ug/m3
----	PM10 mass concentration	=	---	ug/m3
----	Typical particle size	=	---	nm
----	PM0.5 number concentration	=	---	#/m3
----	PM1.0 number concentration	=	---	#/m3
----	PM2.5 number concentration	=	---	#/m3
----	PM4 number concentration	=	---	#/m3
----	PM10 number concentration	=	---	#/m3
----	Air temperature	=	---	deg
----	Air humidity	=	---	%
----	Barometric pressure	=	---	Pa

DECLARATION OF CONFORMITY

We,

Decentlab GmbH
Kriesbachstrasse 30
8600 Dübendorf
Switzerland



declare under our own responsibility that the product

Reference	Name
DL-PM-xxx-EU868	Particulate Matter, Temperature, Humidity and Barometric Pressure Sensor for LoRaWAN®

to which this declaration refers conforms with the relevant standards or other standards documents

- EN 300 220-1 V3.1.1: 2017-02
- EN 300 220-2 V3.1.1: 2017-02
- EN 301 489-1 V2.2.0: 2017-03
- EN 301 489-3 V2.1.1: 2017-03

According to

- Radio Equipment Directive (RED) 2014/53/EU
- Electromagnetic Compatibility (EMC) Directive 2014/30/EU

Dübendorf, 27. July 2018

Reinhard Bischoff, Managing Director

A handwritten signature in black ink, appearing to read 'R. Bischoff'. The signature is written in a cursive, flowing style with some loops and flourishes.

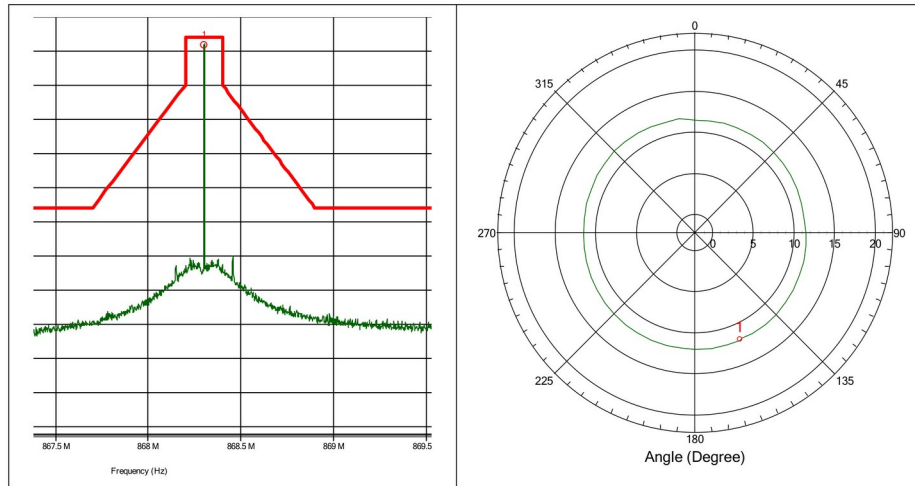
APPENDIX A: ANTENNA PERFORMANCE

No : **DE.17.039.F01**

Page 21 / 24

Measurement Results:

EUT	DLR1-LP8		
Test performed	Effective radiated power (ERP)		
Verdict, Test	Pass		
Modification	None		
Mode of operation	Transmitter mode		
Test date, time	13.06.2018 09:37:06		
Antenna height	1.30 m	Antenna polarization	Vertical
EUT position	0 to 360 Degree	Antenna distance	3 m
Measurement settings	Radimation Version: 2017.1.6, RBW: 1 kHz, VBW: 300 kHz, Sweep time: Auto [120 ms], Step freq: Linear: 250 Hz steps, Attenuator: Auto [10 dB], Internal preamp: 20 dB, Measure time: 10 ms, Measurement equipment: TP_RE_30M-1G_ETSI_Ver		



Detected peaks

Peak Number	Frequency	Peak	Peak Difference	Status	Angle	Height	Polarization
1	868.302 MHz	11.9 dBm	-2.14 dB	Pass	157 Degree	1.3 m	Vertical

Limits:

ETSI EN 300 220-2, Table C.1 OFB: 863 MHz to 870 MHz <= 0.1% duty cycle or polite spectrum access	25 mW e.r.p (14 dBm)
---	------------------------------------

DISCLAIMER

Specifications and information in this document are subject to change without notice.

Decentlab products are not warranted or authorized for use as critical components in medical, life-saving, or life-sustaining applications, or other applications where a failure would reasonably be expected to cause severe personal injury or death.

CONTACT INFORMATION

www.decentlab.com/contact

mail@decentlab.com

+41 44 809 35 90

Decentlab GmbH
Kriesbachstrasse 30
8600 Dübendorf
Switzerland