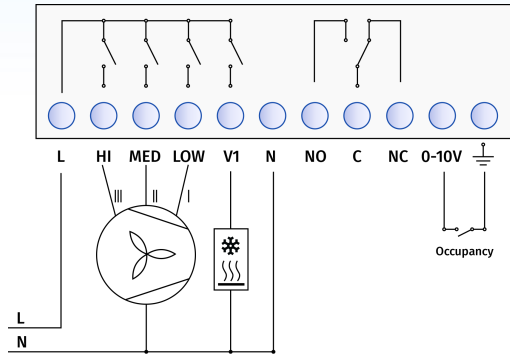


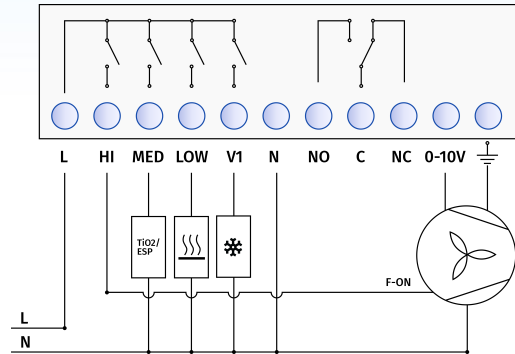
Heating and cooling with 3-speed fan

2-pipe ON/OFF, 3 speed fan;
optional occupancy

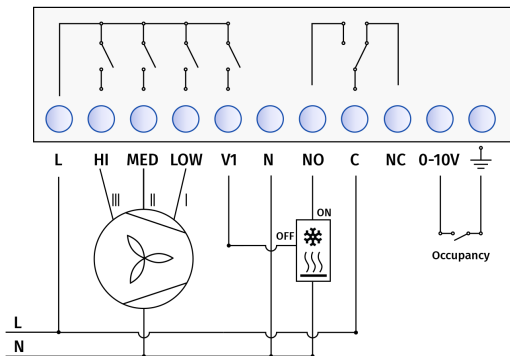


Heating and cooling with EC Fan

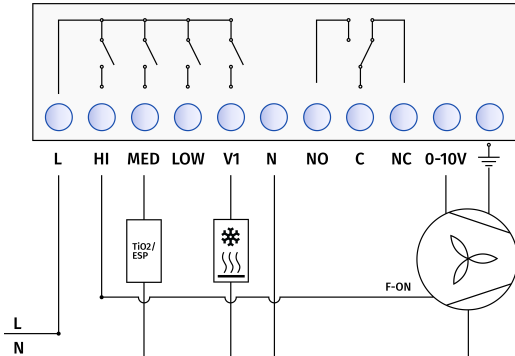
4-pipe ON/OFF; ECM FAN;
optional TiO2/ESP



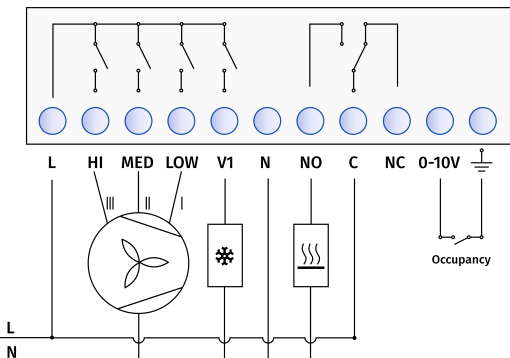
2-pipe ON/OFF 3 speed fan, 3-wire valve (220VAC);
optional occupancy



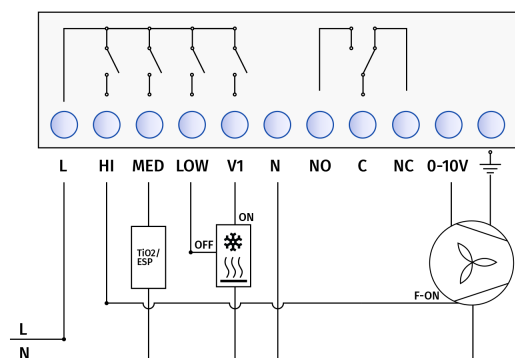
2-pipe ON/OFF; ECM FAN;
optional TiO2/ESP



4-pipe ON/OFF, 3 speed fan;
optional occupancy



2-pipe ON/OFF; ECM FAN; 3-wire valve;
optional TiO2/ESP



2-pipe ON/OFF; ECM FAN; optional TiO2/ESP,
optional floor heating

