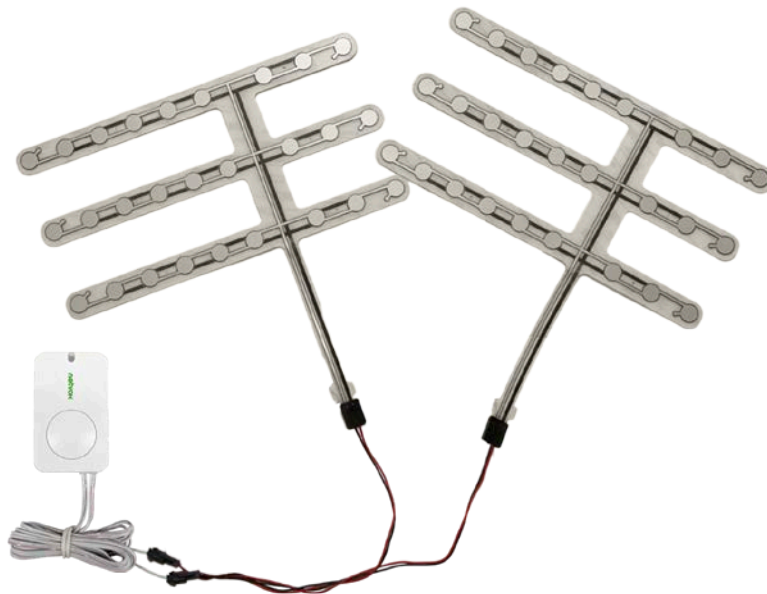


Wireless Seat Sensor

Wireless Sensor Network Based on LoRa Technology



R311WA Data Sheet

Copyright©Netvox Technology Co., Ltd.

This document contains proprietary technical information which is the property of NETVOX Technology. It shall be maintained in strict confidence and shall not be disclosed to other parties, in whole or in part, without written permission of NETVOX Technology. The specifications are subject to change without prior notice.

Wireless Seat Sensor

Introduction

R311WA is a device that detects the presence of a seat and is compatible with the LoRaWAN protocol. If there is someone on the seat, R311WA will send a message to the gateway. When detecting the seat is empty, the device will send a message that restoring to normal status to the gateway.

Main Characteristics

- 2 section 3.0V CR2450 button batteries in parallel
- Adopt SX1276 wireless communication module
- Two -way seat sensor
- Compatible with LoRaWAN™ Class A
- Frequency hopping spread spectrum technology
- Applicable to third-party platforms: Actility / ThingPark, TTN, MyDevices / Cayenne
- Low power consumption and long battery life

Note:

Battery life is determined by the sensor reporting frequency and other variables.

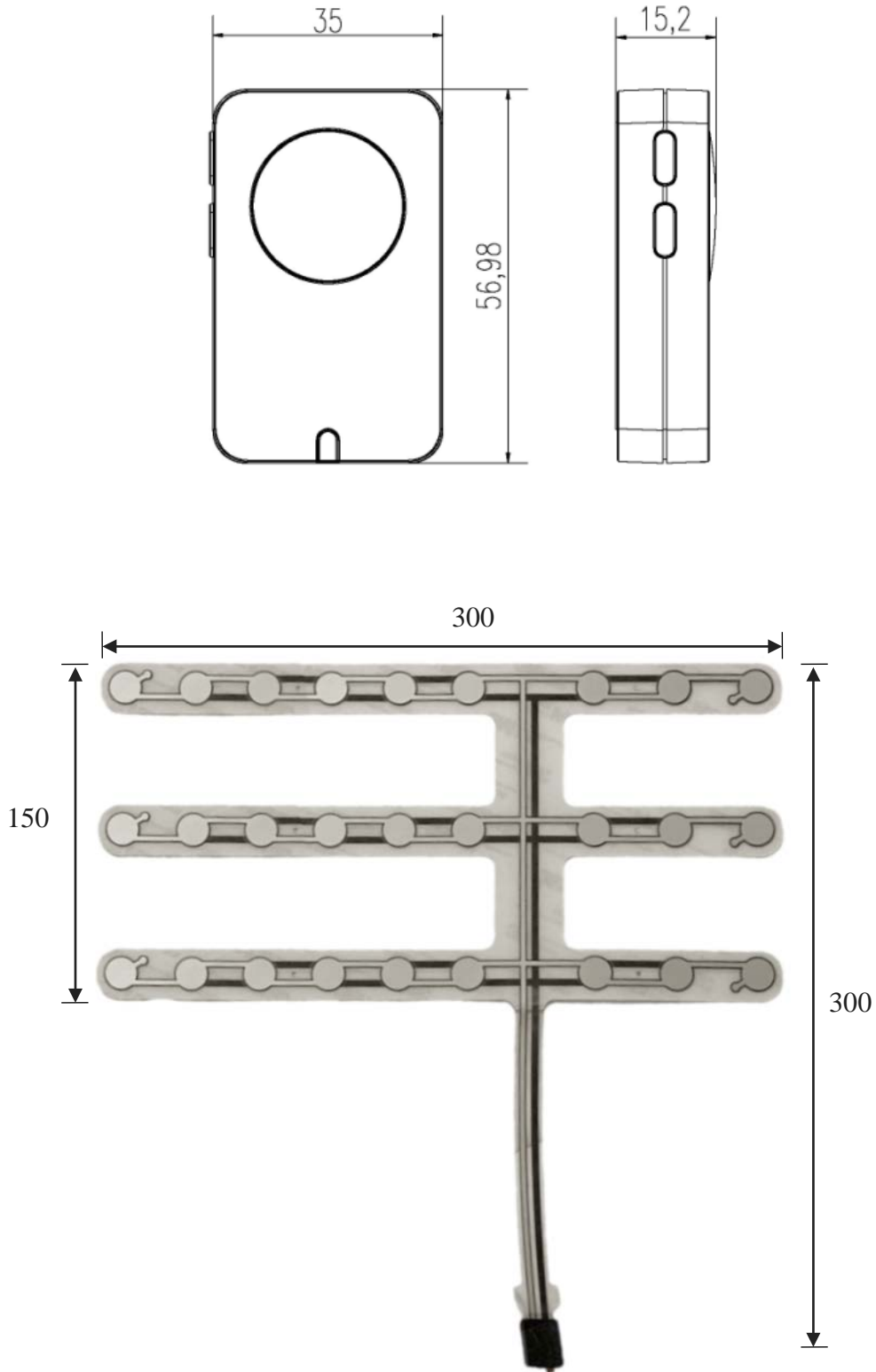
Please refer to http://www.netvox.com.tw/electric/electric_calc.html

Application

- Theater seat detection
- Conference hall seat detection
- Large classroom seating detection
- Performance of the stadium seating status

Wireless Seat Sensor

Dimensions



Unit: mm

Wireless Seat Sensor

Electrical

Input Power	2 section 3V CR2450 button batteries in parallel (Single CR2450 battery capacity 620mah)
Operation Voltage	2.4V to 3.0V
Standby Current	12uA/3.0V
Transmitting Current (max)	120mA / 3.0V
Receiving Current (max)	11mA/ 3.0V
Battery Measurement Accuracy	± 0.1V

Seat Sensor Characteristics

Maximum Operating Current	50mA
Maximum Output Resistance	50 Ω
Substrate Pressure Resistance	2KV (DC)
Durability	At least 150,000 times
Pressure Range	The minimum value is 200-300g

Cable Characteristics

Cable Material	UL2468 28AWG
Cable Line Maximum Temperature	80 °C
Cable Wire Diameter	1mm
Cable Length	1000 mm (± 15mm)

Wireless Seat Sensor
Frequency

Frequency Range	863MHz-928MHz 470MHz-510MHz
Power Output	US915 20dbm; AS923 16dbm; AU915 20dbm; CN470 19.15dbm; EU868 16dbm; KR920 14dbm; IN865 20dbm;
Receiving Sensitivity	-136 dBm (LoRa, Spreading Factor=12, Bit Rate = 293bps); -121 dBm (FSK, Frequency deviation=5kHz, Bit Rate=1.2kbps)
Antenna Type	Built-in antenna
Communication Distance	Up to 10 km (visible linear obstacle-free transmission distance , actual transmission distance depends on the environment.)
Data Transfer Rate	0.3kbps to 50k bps
Modulation	LoRa/ FSK (Note: You can choose one of them)
Supportable LoRaWAN Band	EU863-870,US902-928,AU915-928,KR920-923,AS923-1, AS923-2,AS923-3,IN865-867,CN470-510 (Note: The frequency band is optional and needs to be configured before shipment)

Physical

Main Unit Casing Size	57 mm x 35 mm x 15.2 mm
Seat Sensor Size	300 mm x 300 mm x 0.65 mm
Body Weight	48.9g
Operating Temperature	-20°C to 55 °C
Environment Humidity	<90 %RH (No condensation)
Storage Temperature	-40°C to 85 °C