

Wireless Occupancy/Light/Temperature Sensor RB11E Data Sheet

Wireless Sensor Network Based on LoRa Technology

 **LoRa Alliance** Certified™



RB11E

Copyright©Netvox Technology Co., Ltd.

This document contains proprietary technical information which is the property of NETVOX Technology. It shall be maintained in strict confidence and shall not be disclosed to other parties, in whole or in part, without written permission of NETVOX Technology.

The specifications are subject to change without prior notice.



 **LoRa Alliance Member™** **zigbee alliance member**

Wireless Occupancy/Light/Temperature Sensor

General Description

RB11E is a long distance wireless infrared device based on the LoRaWAN protocol (Class A). RB11E combines infrared detection, temperature, and illumination sensors. During infrared real-time detection, if a people or other organism which is active in the monitoring area, RB11E will detect the infrared signal and report status information to the gateway. Users can execute different instructions or scenes according to the different status configuration. RB11E also supports temperature, lighting report.

Principle of Operation

If someone or animal is moving in the monitoring area, RB11E will detect the infrared signal and the red indicator will flash once. In the mean time, it reports occupied status (at the same time, other sensor status value are also reported). RB11E is able to read temperature and illumination over the LoRaWAN network, mainly used to detect the temperature and illumination of the indoor environment, which through the wireless network communication module to collect the data sent to other devices displayed.

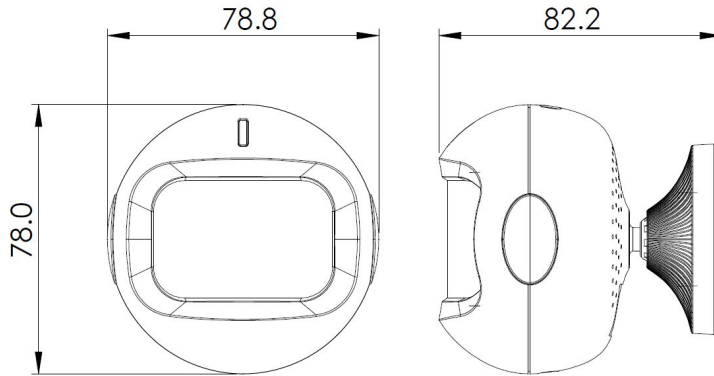
Example Applications

- Area access monitoring
- Detect when people enter a room
- Building automation
- Condition monitoring
- Predictive maintenance
- Security, healthcare and many more use cases.

Features of NETVOX Sensors

- Wireless range of 10 km *1
 - LoRaWAN™ Class A compatible
 - Motion detection distance: 2 meters to 12 meters
 - Temperature measurement range: -20°C-55°C
 - Lighting measurement range: 0-1100LUX
 - Frequency Hopping Spread Spectrum (FHSS)
 - Improved interference immunity
 - Improved power management for longer battery life
 - Encrypt-RF™ Security (Diffie-Hellman Key Exchange + AES-128 CBC for sensor data messages)
 - Battery Life*2:
 - 2.5 years
 - (Conditions: ambient temperature 25 °C, 100 triggers/day, txpower = 20dBm, LoRa spreading factor SF = 10)
 - Over-the-air updates (future)
 - Third-Party online wireless sensor monitoring and notification system to configure sensors, view data and set alerts via SMS text and email (optional)
 - Available third-party platform: Actility/ThingPark, TTN, MyDevices/Cayenne
- *1. Actual range may vary depending on environment.
*2. Battery life is determined by sensor reporting frequency and other variables

Wireless Occupancy/Light/Temperature Sensor

Technical Specifications


(Unit: mm)

Electric

Power Supply	2pcs of 3.6V ER14505 AA battery
Operating Voltage Range	3V~3.6V
Standby Current	110uA
Transmitting Current (max)	120mA
Receiving Current (max)	11mA
Battery Measurement Accuracy	±0.1V

Frequency

TX Power	19dBm±1dBm
Rx Sensitivity	-136dBm (LoRa, Spreading Factor=12, Bit Rate=293bps) -121dBm (FSK, Frequency deviation=5kHz, Bit Rate=1.2kbps)
Antenna Type	Build-in antenna
Communication Range	10 km (line-of-sight, the actual transmission distance depends on the environment)
Data Transfer Rate	0.3kbps~50kbps
Spread Technique	LoRa/FSK
Available Frequency	US915 AU915 AS923 EU868 KR920 CN470 Configured before shipment

Wireless Occupancy/Light/Temperature Sensor

Physical

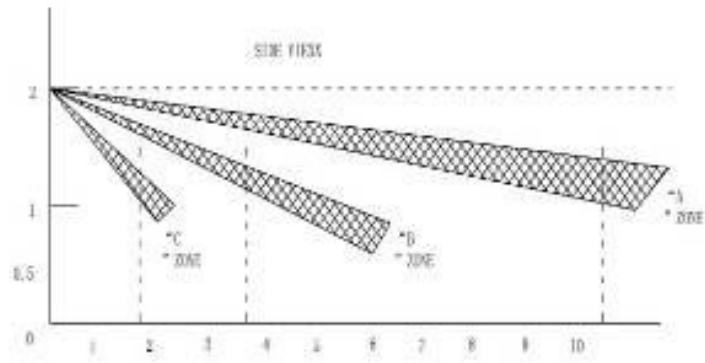
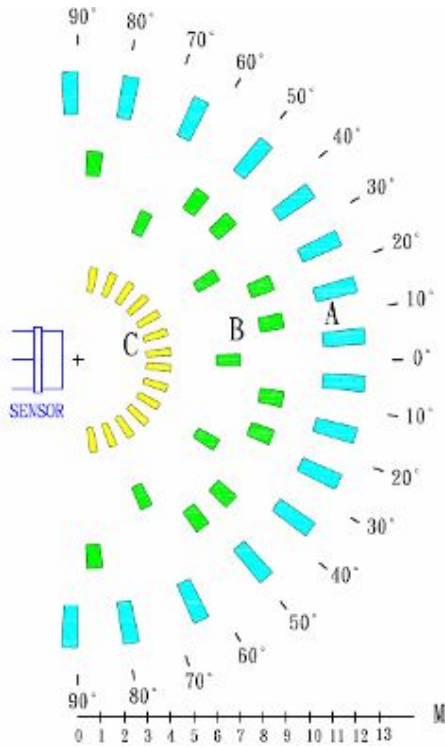
Dimension	78mm*78.8mm*82.2mm
Weight	125.8g
Operating Humidity	<90%RH
Operating Temperature	-20°C ~ 55°C
Storage Temperature	-40°C ~ 85°C
Built-in Devices	Tamper switch, light sensor, temperature sensor

Sensing Range

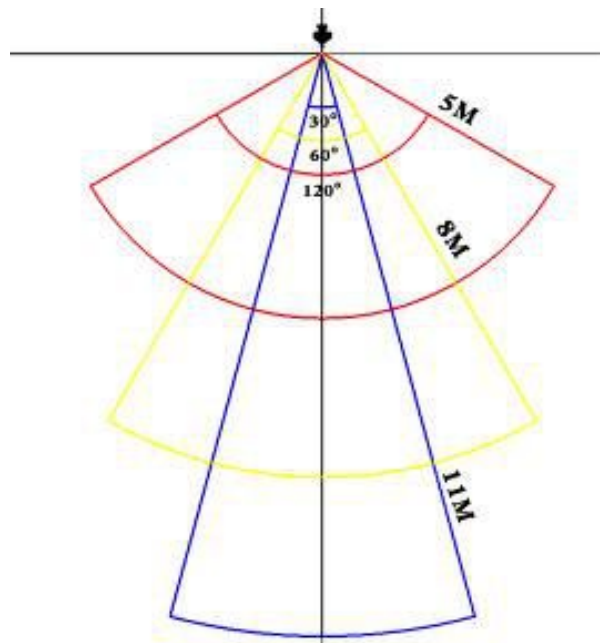
Mounting Height	2 to 2.2 meters above ground level
Mounting Angle	Tilt 15° downward
Sensing Angle	Horizontal 110°, vertical 60°
Sensing Distance	2 meters to 12 meters
Object Moving Speed to Send Alarm	≥0.2 m(M)/s(s)
Temperature Measurement Range	-20°C ~ 55°C
Temperature Measurement Accuracy	±2°C
Light Sensor Measurement Range	0-1100LUX
Light Sensor Measurement Accuracy	±15%
Battery Measurement Accuracy	±0.1V

Wireless Occupancy/Light/Temperature Sensor

Fresnel Lens Size and Detection Range :



Lens Detection Range Horizontal Projection Schematic



Wireless Occupancy/Light/Temperature Sensor

Lens Detection Range Space Diagram

The coverage area A- Distance: 11 meters; sensing angle: 30°

The coverage area B- Distance: 8 meters; sensing angle: 60°

The coverage area C- Distance: 5 meters; sensing angle: 120°

Contact:**NETVOX TECHNOLOGY CO., LTD.**

TEL: 886-6-2617641

FAX: 886-6-2656120

E-mail: sales@netvox.com.tw

WEB: www.netvox.com.tw

NETVOX TECHNOLOGY CO., LTD (XIAMEN)

TEL: 86-592-5717188

FAX: 86-592-5717180

E-mail: dyx@netvox.com.cn

WEB: www.netvox.com.cn



 LoRa Alliance Member™  zigbee alliance member