



# WisBlock Unify Outdoor Enclosure 150x100x45 Datasheet

## Overview

### Description

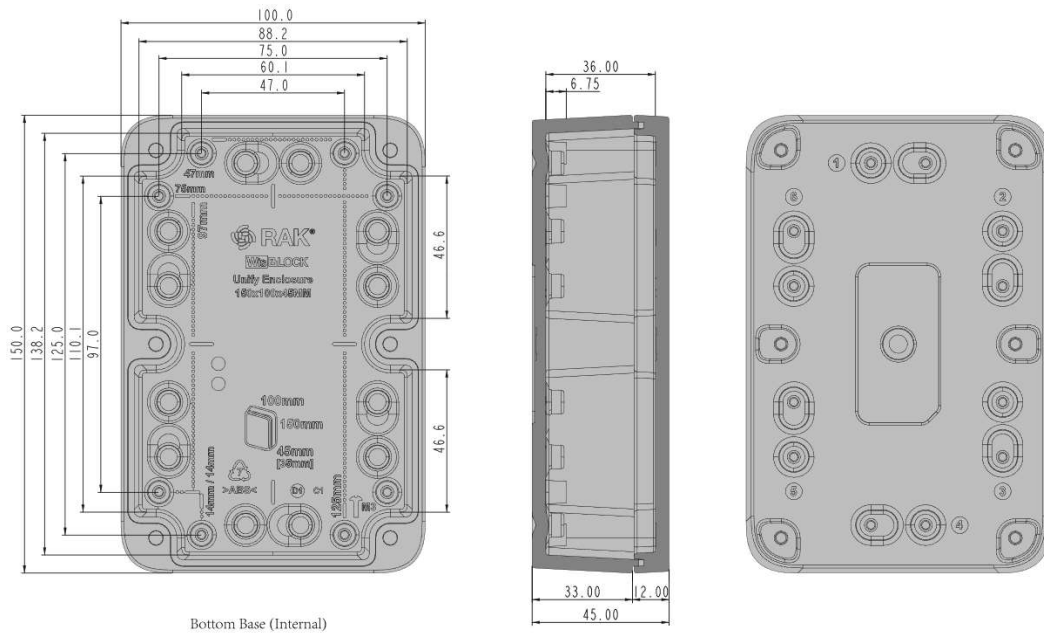
RAKBox-UO150x100x45 is a medium-sized **WisBlock Unify Enclosure**. It is an IP67-rated protection class that allows the unit to be used outdoors while protecting the internal components from dust and water. It is also a weatherproof fire retardant enclosure made from ABS plastic specially designed for WisBlock Products.

Moreover, it supports different types of mounting options such as pole, wall, DIN rail, belt, and hook.

### Features

- IP67-rated
- Dimensions L x W x H: 150 mm x 100 mm x 45 mm
- Available in two (2) colors: cool gray and white color
- Two base plate options: **Plain Base Plate** and **WisBlock Bespoke Base Plate**
- Support the application of various scenarios via optional mounting accessories
- Allows **customization service** without MOQ and supports CNC machining, painting, label printing, etc.

## Enclosure Mechanical Dimensions

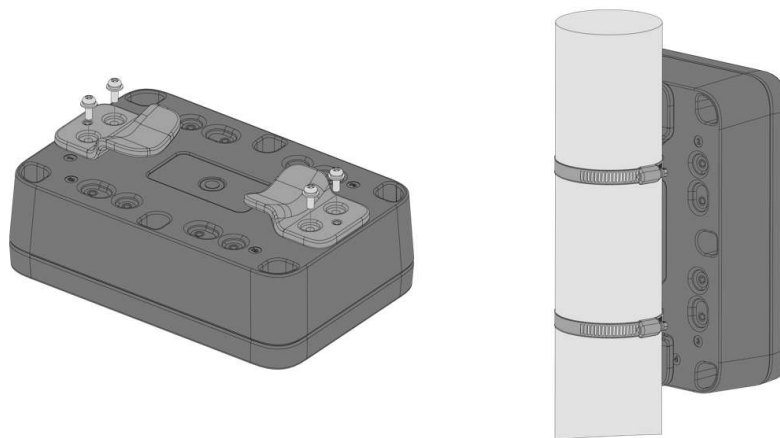


**Figure 1: Medium WisBlock Unify Enclosure dimensions**

## Enclosure with Mounting Accessory

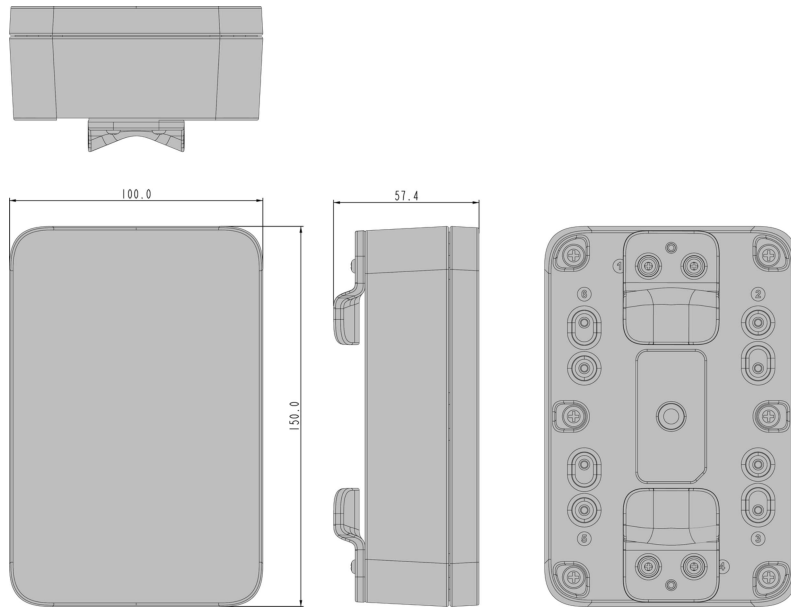
The installation guide for mounting the different types of accessories can be found in [Mounting Guide](#) of the medium unify enclosure.

### Pole Mount Vertical



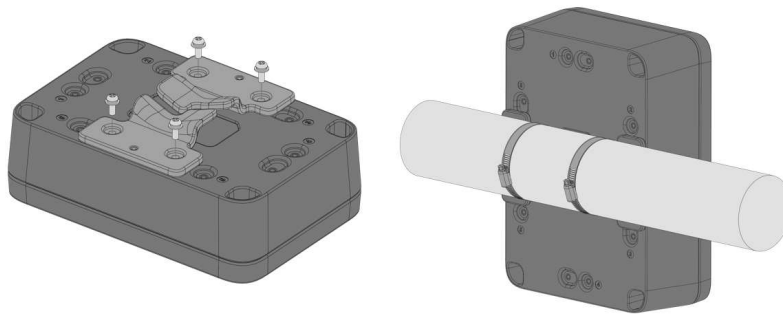
**Figure 2: Vertical pole mount**

**Figure 3** shows the dimensions of the medium unify enclosure with vertical pole mounts attached to it.



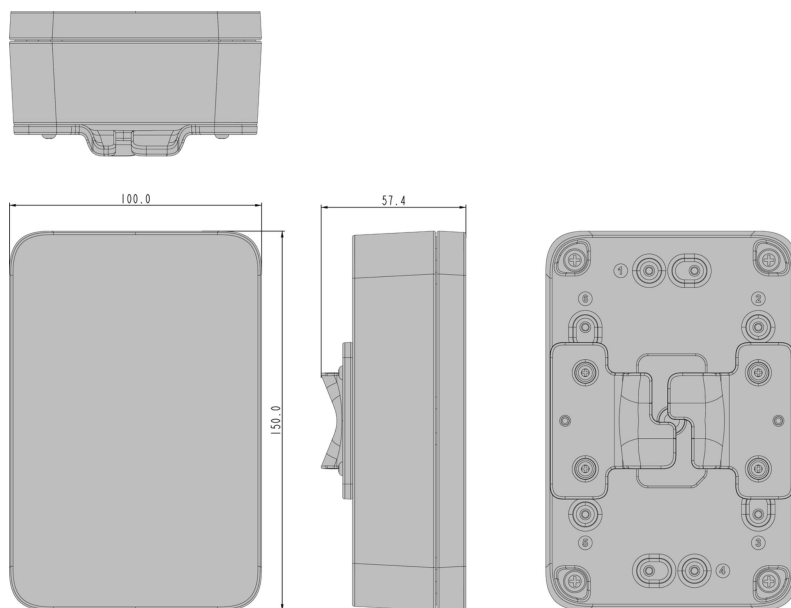
**Figure 3:** Dimensions of enclosure with vertical pole mount

## Pole Mount Overlap Horizontal



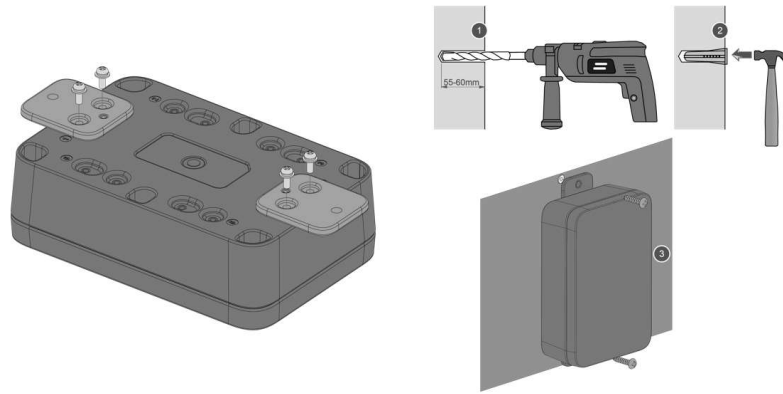
**Figure 4:** Horizontal pole overlap mount

**Figure 5** shows the dimensions of the medium unify enclosure with horizontal pole mounts attached to it.



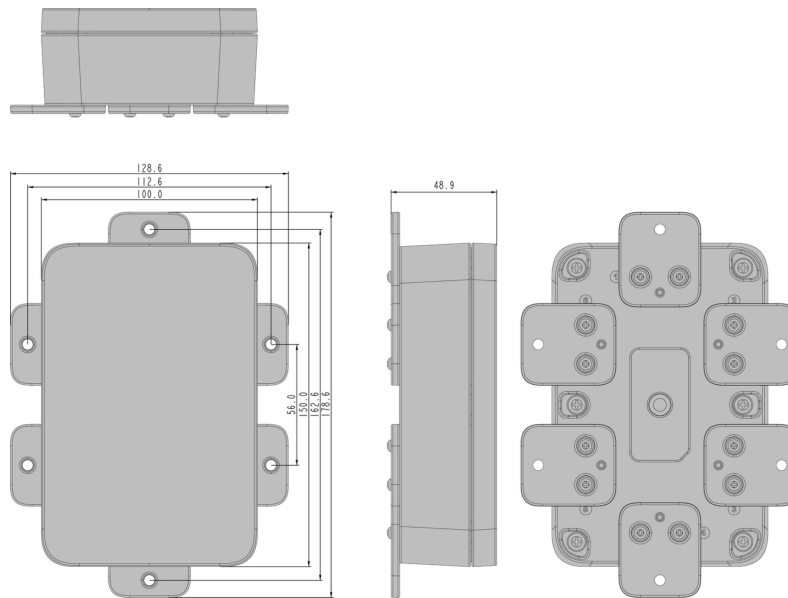
**Figure 5:** Dimensions of the enclosure with horizontal pole overlap mount

## Wall Mount



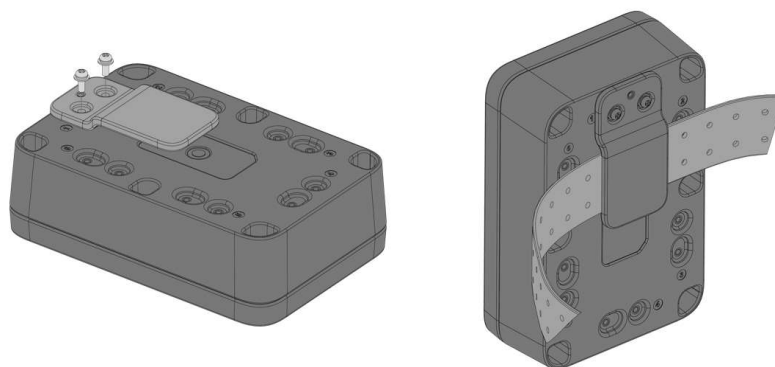
**Figure 6:** Wall mount

**Figure 7** shows the dimensions of the medium unify enclosure with wall mounts attached to it.



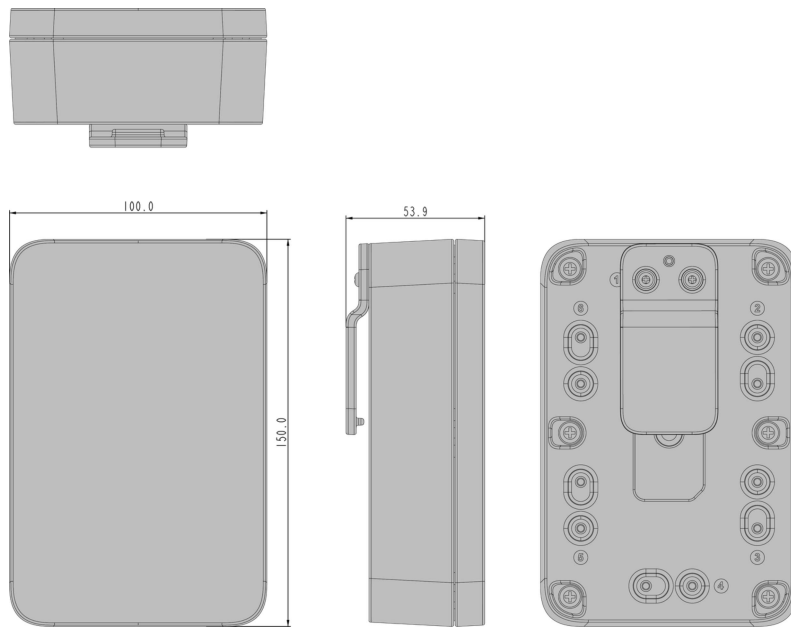
**Figure 7:** Dimensions of the enclosure with wall mount

## Belt Clip Mount



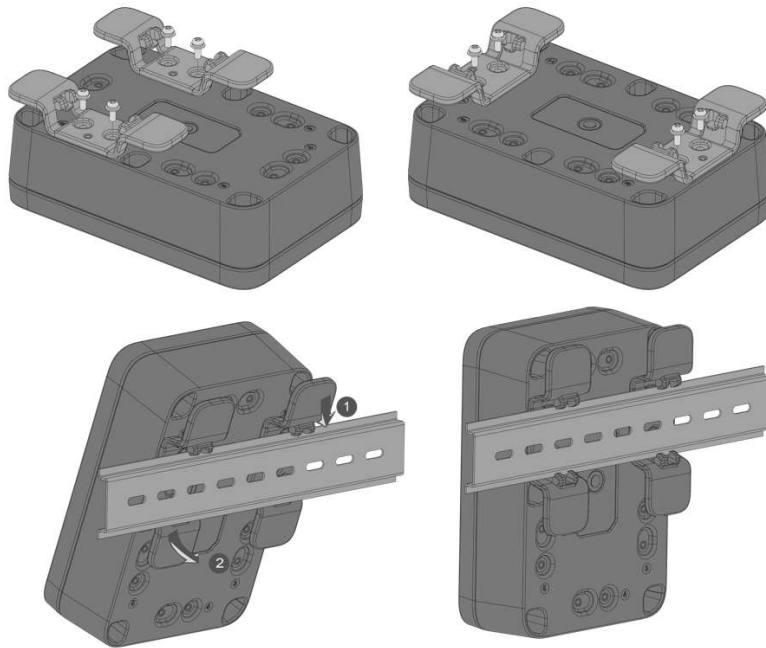
**Figure 8:** Belt clip mount

**Figure 9** shows the dimensions of the medium unify enclosure with a belt clip mount attached to it.



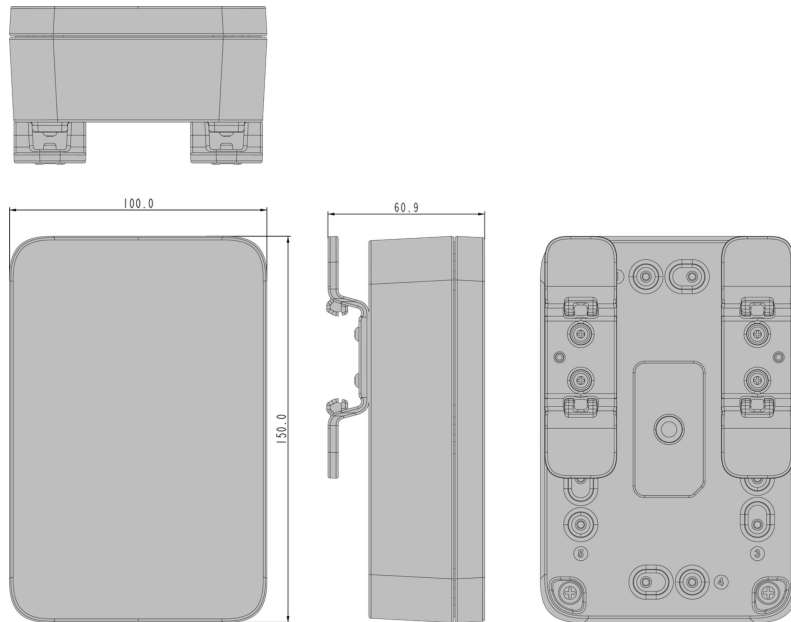
**Figure 9:** Dimensions of the enclosure with belt clip mount

## DIN Mount



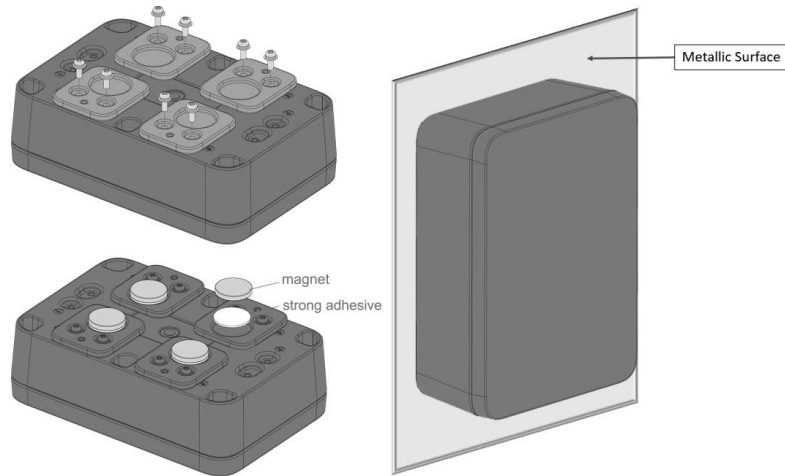
**Figure 10:** DIN mount

**Figure 11** shows the dimensions of the medium unify enclosure with a DIN mount attached to it.



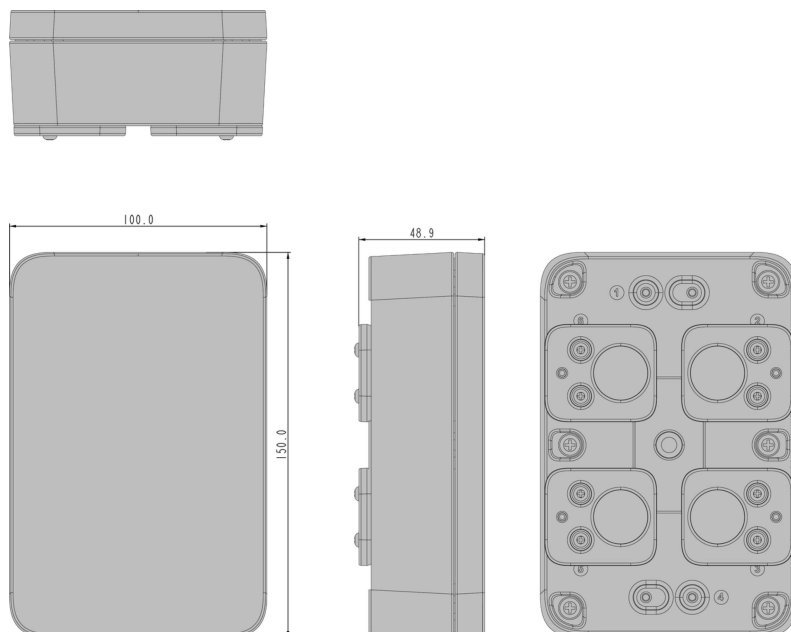
**Figure 11:** Dimensions of the enclosure with DIN mount

## Magnet Mount



**Figure 12:** Magnet mount

**Figure 13** shows the dimensions of the medium unify enclosure with a magnet mount attached to it.



**Figure 13:** Dimensions of the enclosure with magnet mount

## Belt Loop Mount

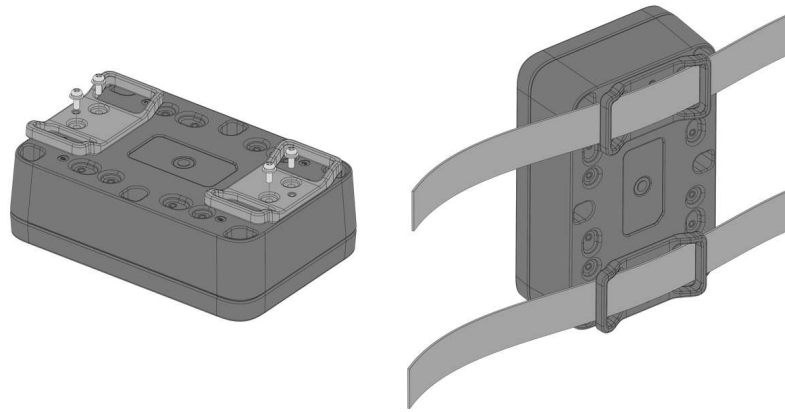


Figure 14: Belt loop mount

Figure 15 shows the dimensions of the medium unify enclosure with a belt loop mount attached to it.

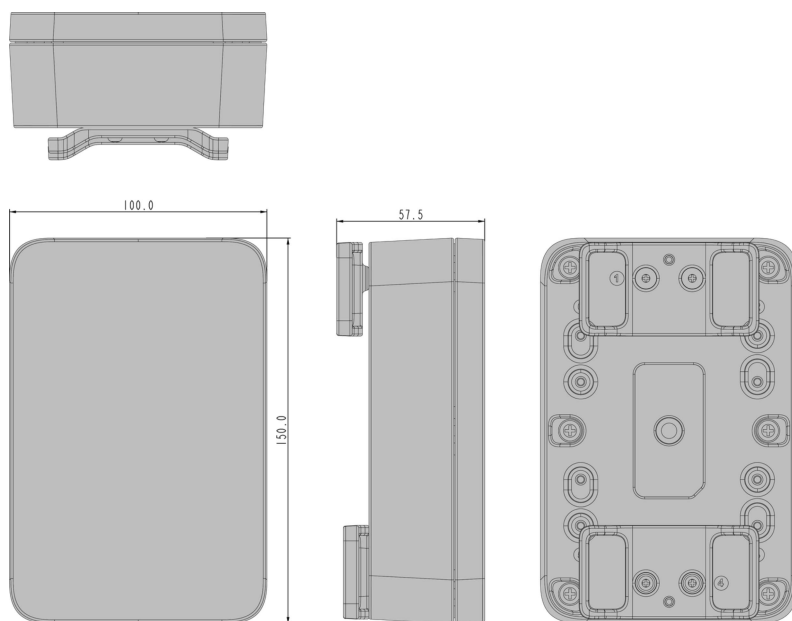


Figure 15: Dimensions of the enclosure with belt loop mount

## Label Mount

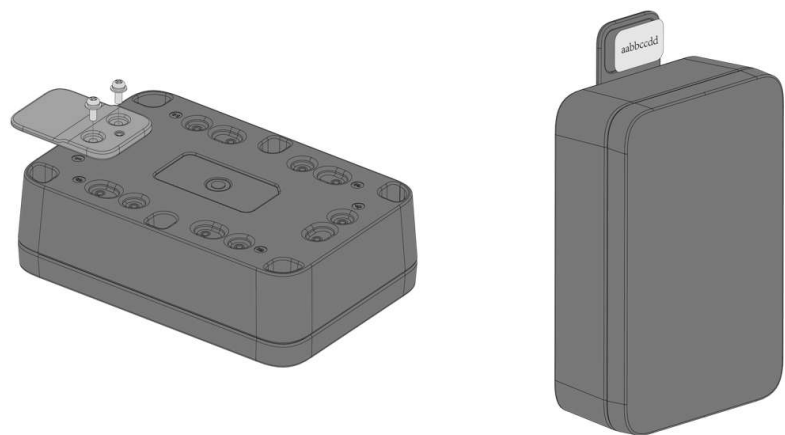
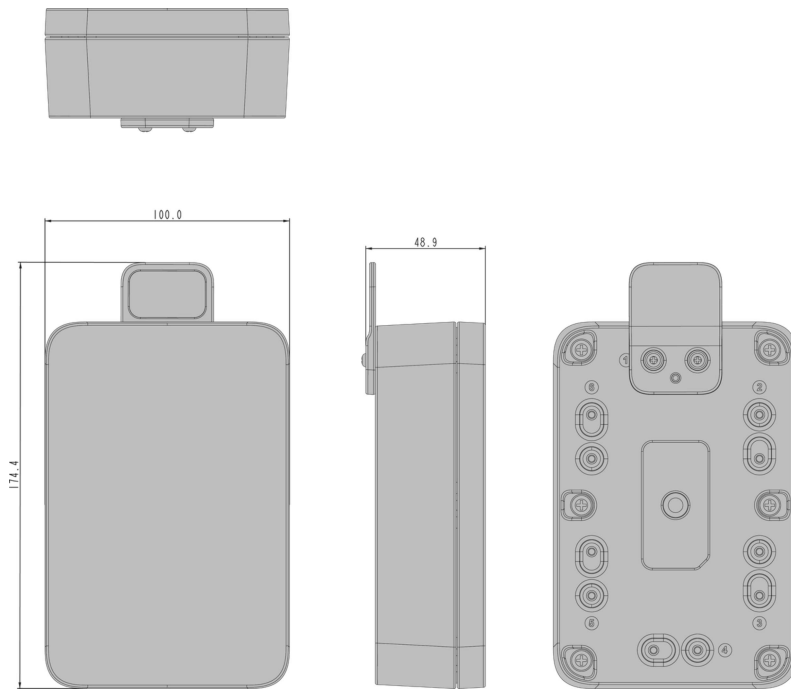


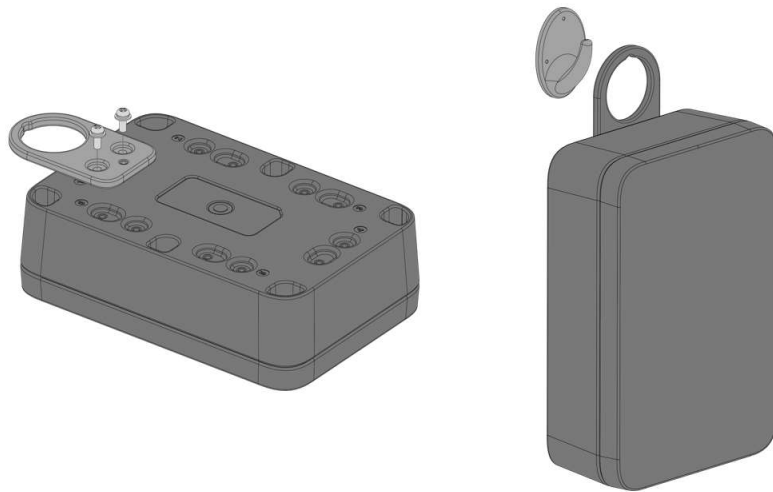
Figure 16: Label mount

Figure 17 shows the dimensions of the medium unify enclosure with a label mount attached to it.



**Figure 17:** Dimensions of the enclosure with label mount

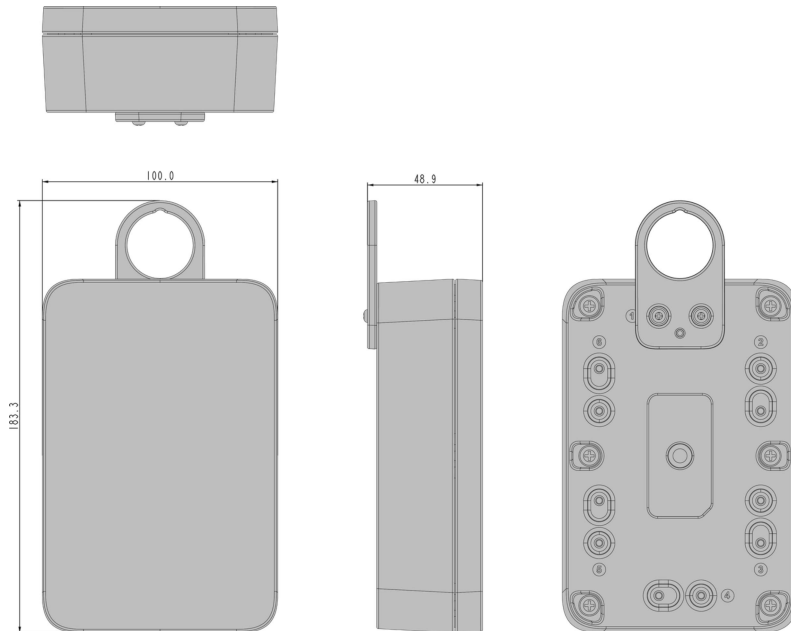
## Hook Loop Mount



**Figure 18:** Hook loop mount

**Figure 19** shows the dimensions of the medium unify enclosure with a label mount attached to it.





**Figure 19:** Dimensions of the enclosure with hook loop mount

[Home](#)

[« Installation Guide](#)



LoRa® is a registered trademark or service mark of Semtech Corporation or its affiliates. LoRaWAN® is a licensed mark.



Copyright © 2014-2024 RAKwireless Technology Limited. All rights reserved.

