

Atomsenses Smart Fan Coil Thermostat

Product Specification

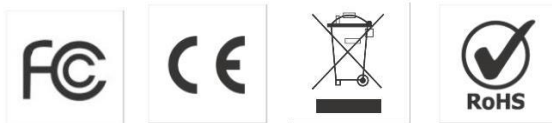
Applicability

This guide applies to the following Atomsenses products, unless otherwise specified:

Model	Description
AS-BAC006	- Smart Fan Coil Thermostat

Declaration of Conformity

Atomsenses sensors and other products comply with the essential requirements and relevant provisions of FCC, CE/EMC, and RoHS standards.



Q-Vision Technology Limited | www.qvision.com.cn

✉ contact@qvision.com.cn

📍 16183 Building 3 Xunmei Technology Square,
Nanshan District,
Shenzhen, Guangdong, China

✉ contact@qvisionhk.com

📞 Scan to WhatsApp us

📍 2/F West Wing, 822 Lai Chi Kok Road
Cheung Sha Wan, Kowloon, HK (Headquarter)





Hardware Introduction

This Modern Round Touch screen Room Thermostat is designed for on/off control of fans and valves in air - conditioning applications. This is achieved by comparing the room temperature with the set temperature, thereby ensuring comfort and energy savings.

It is widely used in hotels, shopping malls, restaurants, schools, hospitals, and indoor places, etc.

Features

Appearance

- 86mm hidden box and 60mm European round box are applicable.
- With a full - white appearance, it integrates seamlessly into your household environment.
- LED matrix light offers simple display, is energy - saving and eye - protective.
- Touch buttons enable simple operation.
- The amazing silver frame ushers in your modern life.
- The visible thickness above the wall is merely 12mm.
- Interlock connection facilitates easy installation.

Functionality

- An accuracy of 0.5°C maintains the temperature within the set level.
- Data is retained during power - off conditions.

Device Appearance



Q-Vision Technology Limited | www.qvision.com.cn

✉ contact@qvision.com.cn

📍 16183 Building 3 Xunmei Technology Square,
Nanshan District,
Shenzhen, Guangdong, China

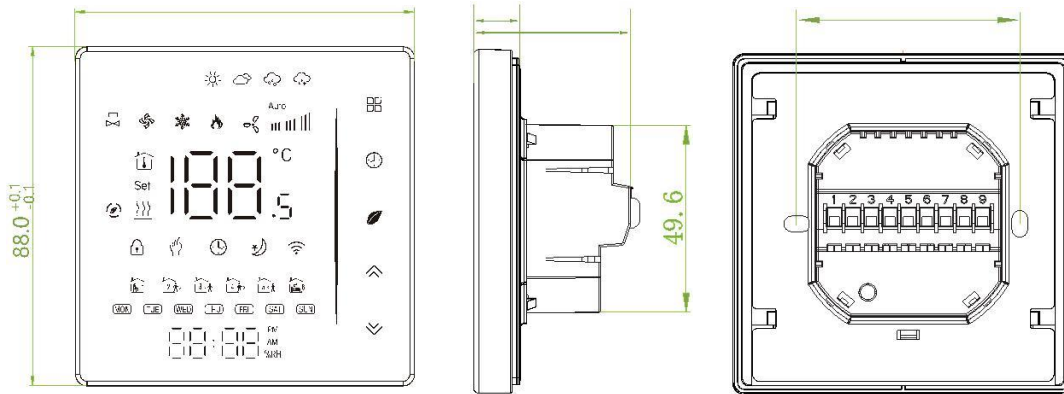
✉ contact@qvisionhk.com

🗨 Scan to WhatsApp us

📍 2/F West Wing, 822 Lai Chi Kok Road
Cheung Sha Wan, Kowloon, HK (Headquarter)



Dimensions (mm)



Technical specifications and standards

Technology	Modbus or LoRaWAN
Power Supply	95-240VAC/DC , 50 ~ 60HZ
Fan Relay Amps Resistance	5A; Inductive: 3A
Valve Relay Amps Resistance	3A; Inductive: 1A
Sensor	NTC3950, 10K
Set Temp. Range	5 -35 °C
Accuracy	±0.5 °C
Display Temp. Range	5 ~ 99°C
Ambient Temp.	0~45 °C
Ambient Humidity	5 ~ 95 % RH (Non Condensing)
Storage Temp.	-5~ 45 °C Timing Error: <1%
Power Consumption	<1.5W
Shell Material	PC +ABS (Fireproof)
Installation Box	86 * 86mm Square or European 60mm Round Box
Wire Terminals	Wire 2 X 1.5 mm ² or 1 x2.5 mm ²
Protection Class	IP20
Buttons	Capacitive Touch Buttons

