

Milesight

DS7610

LoRaWAN® IoT Display

LoRaWAN®



Office



Restroom



Hospital

◆ Introduction

Milesight DS7610 IoT Display brings customers simplicity and a user-friendly experience in managing rooms' conditions with one tap. As an advanced IoT solution, DS7610 has a built-in LoRaWAN® gateway and NFC to manage Milesight LoRaWAN® sensors and display intuitive data and the status on the screen.

More significantly, the 10.1-inch capacitive touchscreen display allows users to see and customize the user interface with easy settings and smooth screen switching. Customizable stepless adjusted RGB LED indicators of DS7610 can show the real-time room availability instantly even from a distance.

DS7610 also supports 3rd-party Android applications, allowing users to install applications as needed, such as Meeting Room Booking Systems, Visitor Appointment Systems, Smart Restroom Management Systems, and more.



◆ Features

- Quad-core industrial processor with big memory
- Straightforward user interfaces presented on 10.1-inch capacitive touch screen with customizable stepless adjusted RGB LED indicators on the sides
- Customizable branding logo and background image appearing on the screen
- Plug-and-play PoE, DC power, or Type C power supply available
- Provides easy installation, flexible mounting options, and specialized design to hide wires
- Equipped with NFC for Milesight LoRaWAN® nodes configurations, ID identifications, contactless meeting check-in, etc.
- Support extra DI/DO/RS485 industrial serial ports via optional docking station
- Built-in one-channel SX1262 LoRaWAN® gateway module is well-qualified to manage end nodes indoors, showcase intuitive status, streamline management, and simplify control and maintenance
- Provide SDKs to develop and install 3rd-Party Android applications and allows to customize systems
- Provide application customization services including Meeting Room Booking System, Visitors Appointment Systems, Smart Restroom Management System and more
- Built-in ambient light sensor and proximity sensor automatically adjust the screen's brightness according to external light conditions for saving energy

◆ Specifications

Display

LCD Screen 10.1-inch TFT LCD Touch Screen

Resolution 1280 x 800 Pixels

Active Area 216.58 (L) x 135.36 (H) mm

Screen-to-body Ratio 74.88%

Aspect Ratio 16:10

Contrast Ratio 1000:1

Luminance 300Cd/m²

LED RGB Side LED Indicators, Stepless Adjustment

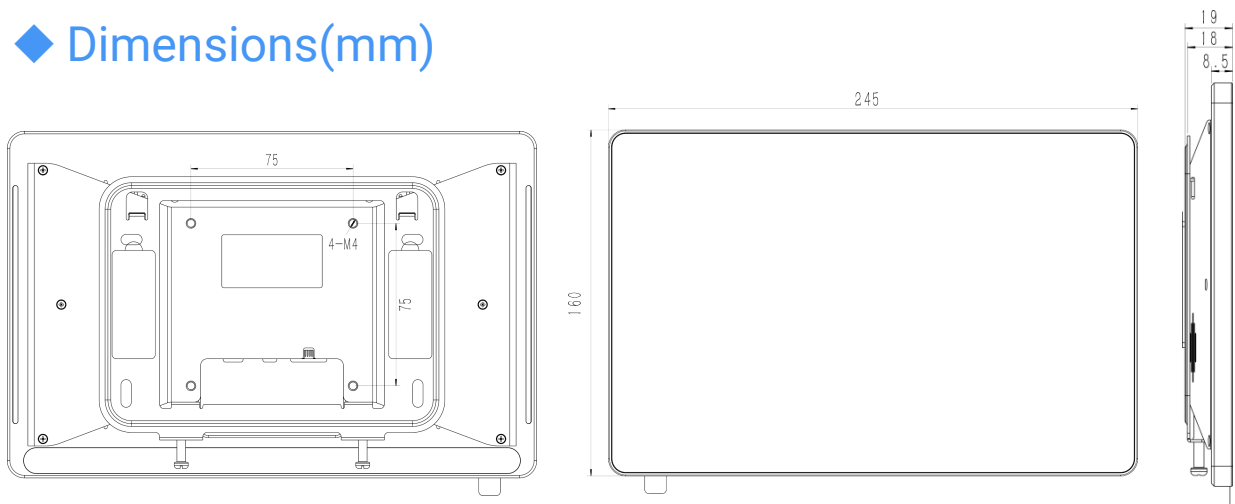
Hardware System

CPU Quad-core ARM Cortex-A55

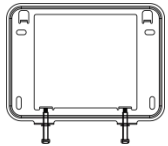
Memory 2GB DRAM

Flash	16GB eMMC
Expansion Storage (Optional)	Equipped with micro SD Card (8GB/16GB/32GB/64GB/128GB)
Operating System	Android 11.0
Connectivity & Interface	
LoRaWAN®	
Channel	1
Frequency Band	CN470/IN865/EU868/RU864/US915/AU915/KR920/AS923-1&2&3&4
Sensitivity	-137dBm
Output Power	19dBm (470 MHz) /16dBm (868 MHz)/22dBm (915 MHz)
Protocol	V1.0.3 Class A/Class C
Others	
Wi-Fi	IEEE 802.11 b/g/n, 2.4 GHz IEEE 802.11 a/n/ac, 5 GHz
Bluetooth	Bluetooth 5.0
Ethernet	1 x RJ45 10/100/1000 Mbps Ethernet Port (PoE PD Supported)
Type-C	OTG or Host Mode
Speaker	1.5W
Sensors & NFC	
Proximity Sensor	Detection Distance: 1 m (Max.)
Light Sensor	5 Brightness Level Adjustment
NFC	13.56 MHz
Physical Characteristics	
Power Supply	1. 802.3af PoE 2. 12V/1A by DC Jack Connector 3. 5V/2A by Type-C Port
Operating Temperature	-20°C to +50°C (-4°F to +122°F)
Operating Humidity	0% to 95% (Non-condensing) Below 25°C/77°F
Ingress Protection	IP30
Color & Material	Black, Metal
Dimensions	245 (L) x 160 (H) x 18 (D) mm
Weight	0.65 kg (Without Bracket), 0.7kg (With Bracket)
Installation	Wall Mounting, 3M Tape Mounting, VESA Desktop Stand Mounting (75 x 75mm)

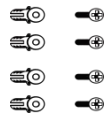
◆ Dimensions(mm)



◆ Accessories



1 × Wall Mount Bracket



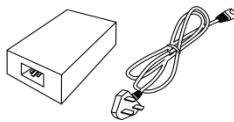
4 × Wall Mounting
Screw Kits



4 × VESA Mount Screws



2 × Adhesive Tapes



1 × PoE Injector
(Optional)

***Note:** Contact us if you need any other special accessories or customized accessories.

