

miro

Edge Indoor mioty®

Modular cost-effective family of mioty® indoor base stations for 868 MHz ISM frequency band



Description

miro Edge Indoor mioty® is an OEM/white-label product family of affordable, fully mioty®-compatible base stations. The small form-factor, integrated interfaces such as Ethernet, Power over Ethernet (PoE), Mini PCIe, and its underlying OpenWRT based Linux OS enable seamless integration of these base stations into any infrastructure.

Utilizing the built-in web-frontend, the gateway can be configured to communicate with any mioty® compatible service center.

The gateway also offers a remote management system, which can be integrated into the customers IT infrastructure. The RMS supports firmware-over-the-air update (FUOTA), remote access and versatile real-time device health information.

Features

- ▶ Support for 868 MHz
- ▶ Modular design: 2 × Mini PCIe slots
- ▶ Ethernet, PoE, USB, Mini PCIe
- ▶ Optional cellular connectivity (3G/4G card)
- ▶ Cellular SIM/eSIM support
- ▶ Remote Management System
- ▶ Preconfigured or web-based configuration
- ▶ Customer specific branding and configuration

Applications

- ▶ Smart Metering / Smart Buildings
- ▶ Industry 4.0
- ▶ Home Automation
- ▶ Healthcare
- ▶ Smart Retail
- ▶ Supply Chain & Logistics
- ▶ Facility Management

Document Information

About

File name	Document type	Date	Revision
DS miro Edge Indoor mioty®	Datasheet	2026/04/08	1.1

Revision history

Date	Release	Changes
2026/04/08	1.0	First revision
2026/04/08	1.1	Added CE and minor cosmetical changes

Table of Content

Document Information	2
Connectors and Interfaces	3
LED status information	3
Technical Specifications	4
Mechanical Dimensions	5
Additional Documentation	6
Device Options	6
Keep in touch	7

Connectors and Interfaces

Connectors and Interfaces

1 External mioty® antenna	6 Power Indicator
2 Reset button	7 Power input, USB micro
3 WWAN LED	8 USB device connector
4 WLAN LED	9 Ethernet / PoE
5 mioty® LED	10 External LTE antenna

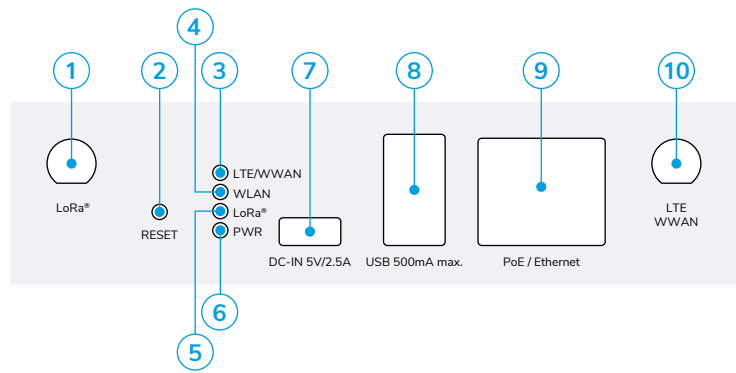


Figure 1: Interfaces

LED Status Information

LED	Description	solid	flashing	off
LTE/WWAN	mobile network available	connected	error	not available
WLAN	WiFi activity	-	transmission activity	WiFi off
mioty®	mioty® connectivity	connected	-	no connection
PWR	Power supply	device is powered	-	device not powered

Technical Specifications

Mechanical specifications	
Weight	175 g
Dimensions (internal antennas)	110 × 129 × 33 mm
Enclosure	Plastic, ABS
Ingress protection	IP41
Operating conditions	
Temperature range	0 – 55 °C
Humidity	0 – 95 % RH, non-condensing
Device power supply	
Standard	MicroUSB (5 VDC, 12 W)
Optional	PoE 802.3af (12 W)
mioty® radio/wireless	
Rx sensitivity ¹	-136 dBm
RF transmission power ¹	up to 27 dBm
RX frame capabilities ¹	Up to 3.5M telegrams per day (PER ≤ 1%)
¹ See gateway card datasheet for detailed specifications	
Antenna options	
mioty	External antenna
LTE	Dual, multi-band-MIMO (internal + external)
Certifications	
CE	

Mechanical Dimensions

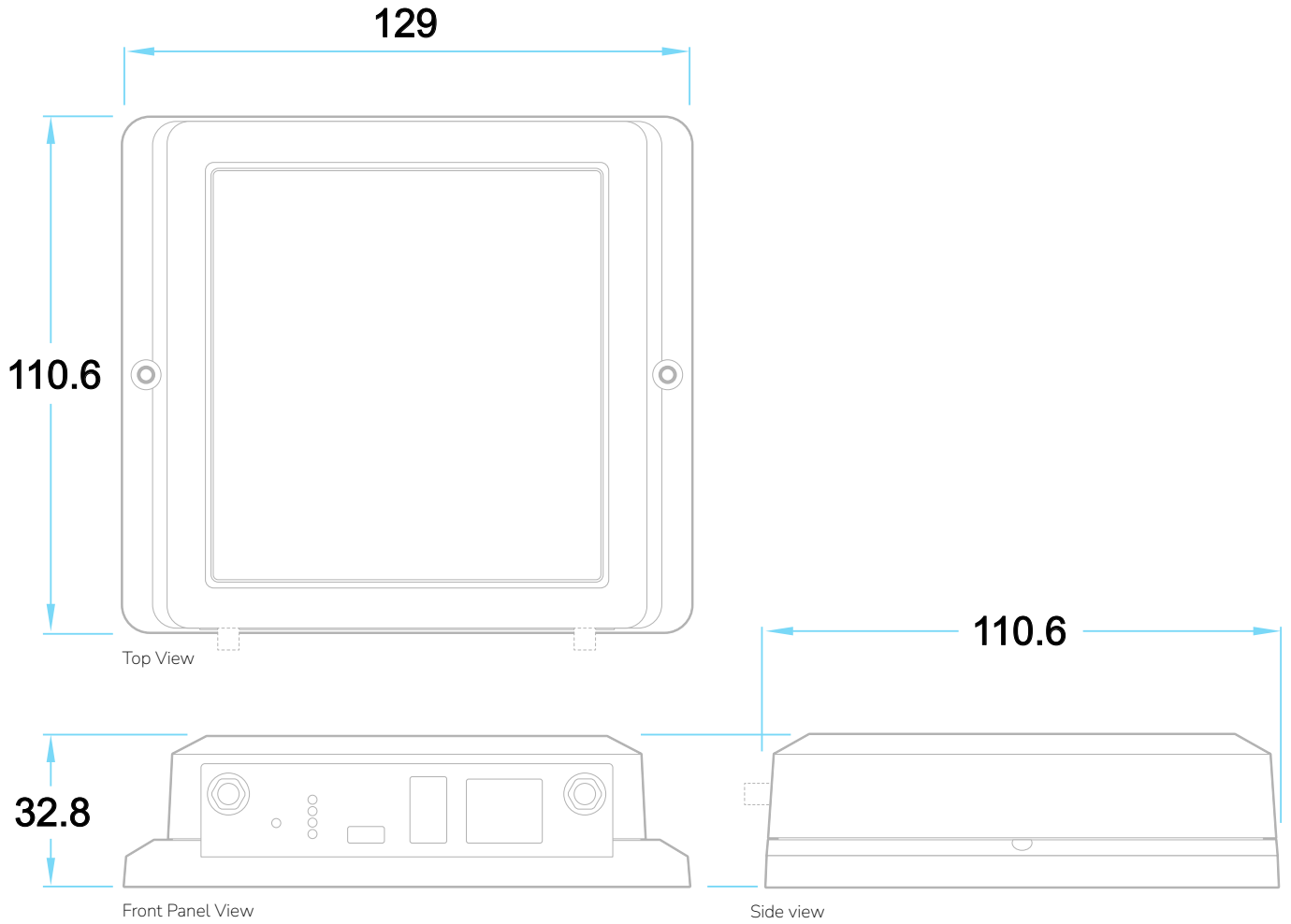


Figure 2: Mechanical Dimensions in mm

Additional Documentation

Additional Ressources

Product information page	miromico.ch/miro-edge-indoor
Technical documentation	docs.miromico.ch/gateways-cards/miro-edge-classic

Device Options

Product ID	ISM BAND		Options		
	868 MHz	915 MHz	LTE	Ext. Antenna	SIM ¹
EDGE-MY-868	✓			✓	
EDGE-MY-868-LTE	✓		✓	✓	CH/EU

¹ Gateway is equipped with Swisscom SIM card and 200 MB/month data volume for 3 months. Other SIM cards on request.

Keep in touch

Miromico AG
Gallusstrasse 4
CH-8006 Zürich
Switzerland

info@miromico.ch
www.miromico.ch

DISCLAIMER

We reserve the right to make technical changes, which serve to improve the product, without prior notification.

LoRa®, Semtech®, the Semtech logo, LoRa®, and LoRaWAN® are registered trademarks or service marks of Semtech Corporation, the LoRaAlliance® or its affiliates.

SAFETY-CRITICAL, MILITARY, AND AUTOMOTIVE APPLICATIONS DISCLAIMER: Miromico products are not designed for and will not be used in connection with any applications where the failure of such products would reasonably be expected to result in significant personal injury

or death ("Safety-Critical Applications") without an Miromico officer's specific written consent. Safety-Critical applications include, without limitation, life support devices and systems, equipment, or systems for the operation of nuclear facilities and weapons systems. Miromico products are not designed nor intended for use in military or aerospace applications or environments. Miromico products are not designed nor intended for use in automotive applications unless specifically designated by Miromico as automotive grade.

Functional Description

miro Edge Indoor is a product family of extremely flexible and cost-effective edge gateways for indoor applications. The modular design supports LoRa®/Mioty® for all frequency regions (868/915 MHz/2.4 GHz) or allows for customer specific interfaces such as Bluetooth or proprietary radios. The small form-factor, integrated interfaces like USB2.0, Ethernet, mPCIe, WiFi (optional) and its underlying LinuxOS allows for seamless integration of these gateways into any infrastructure. The Gateway can be configured to communicate with any Mioty® compatible cloud service.

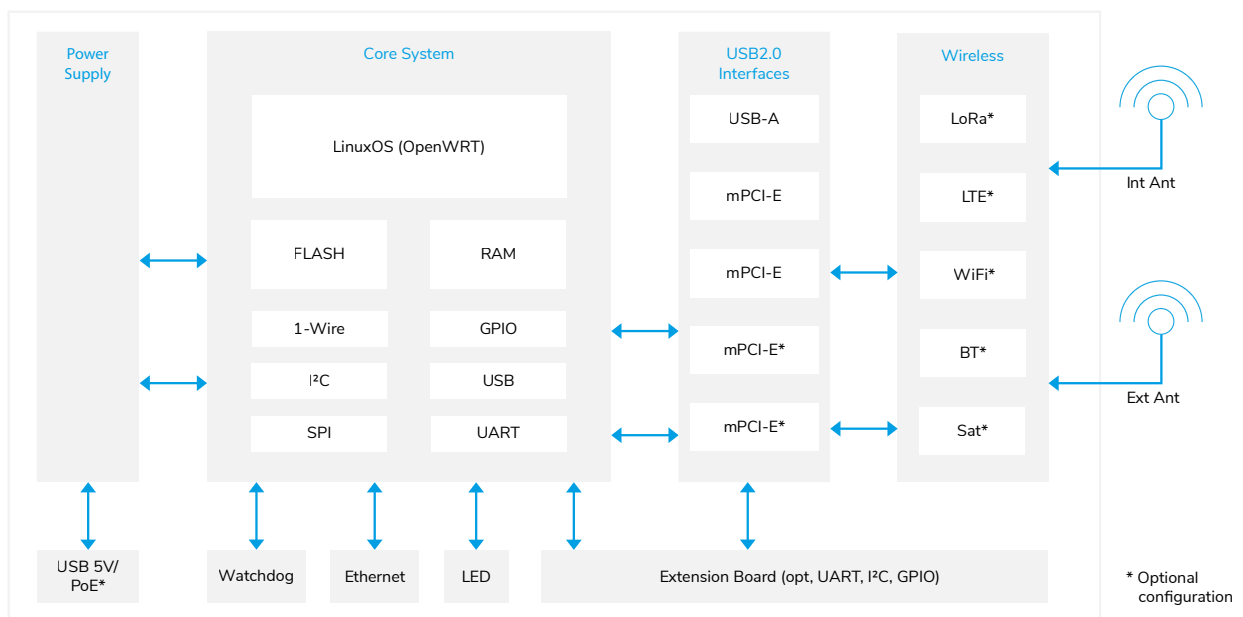


Figure 3: Block diagram miro Edge Indoor