

Magnetic Antenna Base Datasheet

Overview

Features

- Frequency Range: **0~6 GHz**
- Cable length: **2 meters**
- Cable type: **LMR200**
- Max. input power \geq **2 W**
- VSWR: \leq **2.0**
- Polarization: **Linear**



Figure 1: Magnetic Antenna Base Overview



Figure 2: Magnetic Antenna Base Front View

Specifications

Model	Antenna Magnetic Base
Frequency Range	DC0~6 GHz
VSWR	\leq 2.0
Maximum Input Power	5% ~ 95%
Cable Length	2 meters
Cable Type	LMR200
Impedance	50 Ω

Model	Antenna Magnetic Base
Polarization	Linear
Material (color)	Plastic (Black)
Connector Type	N-type female to RP-SMA
Body Dimensions	Φ88.0 mm x 27.5 mm
Operation Temperature	-40° C ~ +65° C
Storage Temperature	-40° C ~ +80° C
Humidity Range	5% ~ 95%

Mechanical Characteristics

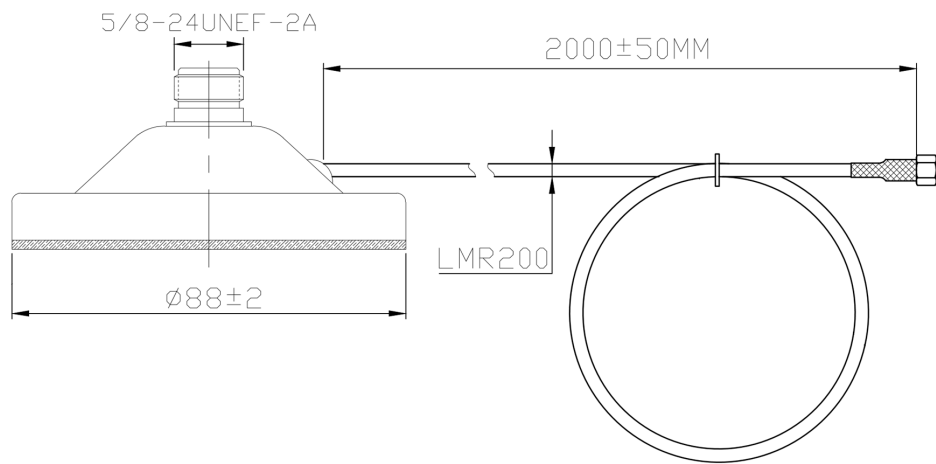


Figure 3: Magnetic Antenna Base Mechanical Specifications