



Apollon ZETA ▾



[← Back to home](#)

Apollon ZETA Technical Data Sheet

Are you looking for the technical data sheet for the Apollon ZETA?

Here you will find the technical data sheet for the Apollon ZETA.



Apollon-ZETA article codes

Article code	Sensors	Additional description	Kommunikation	Stromversorgung	Status
S-ZETA-LOEU	ToF		LoRaWAN®	Batterie	In Production
S-ZETA-MIOTY	ToF		mioty®	Batterie	In Production
Z-ZETA-MAG-NEO	Accessories	Magnet set ZETA Neodymium			In Production
Z-ZETA-RWM-BN	Accessories	Rear wall mounting set with blind rivets			On Request
Z-ZETA-RWM-NM	Accessories	Rear wall mounting set with rivet nuts M3			On Request
Z-ZETA-VWM-BN	Accessories	Front wall mounting set with blind rivets			On Request
Z-ZETA-VWM-NM	Accessories	Front wall mounting set with rivet nuts M3			On Request
Z-ZETA-AP	Accessories	Spacer plate PA			On Request
Z-ZETA-GLUE	Accessories	Assembly adhesives			In Production
Z-ZETA-SCREW	Accessories	Machine screws DIN912 with nuts M3			In Production
Z-ZETA-SPX	Accessories	Wood screws			In Production

Apollon-ZETA Order Code Tree

Prefix	Code product series	Communication	Sensors	Additional Sensors	Example
S	ZETA	LOEU, mioty			S-ZETA-LOEU

Presettings/default values on delivery

Apollon-ZETA downlink table

Name	Description	Default value
Group Timings & Alarms		
Group ToF Sensor Settings		
Group Opening detection (special version)		
Vandalism detection group (special version)		

Characteristics	Value	Unit
Dimensions lxbxh	109x53x33	mm
Weight	130	g
Operating temperature	-30 bis 75	°C
Storage temperature (recommended)	-30 bis 75	°C
Rel. Humidity in operation	5 bis 99	%
IP Rating	IP67	
Sensors	ToF (opic)	
Traffic light function	-	
Alarm function audible	-	
Provisioning	-	
Material	Glass fiber reinforced polybutylene terephthalate	
NFC antenna	-	
RF antenna	integrated	

Accelerometer	optional (on request)	
Batteries	non-exchangeable	
Primary cell type	1 x 3V LiMnO ₂ @2400mAh	

Connectivity and RF specifications

Characteristics	Value	Unit
RF Standards		
Frequency LoRaWAN/mioty EU	868	MHz
Transmission power LoRaWAN/mioty EU	14	dBm
LoRa MAC Layer Version	1.0.2	

Sensor specification ToF (optical)

Characteristics	Value	Unit
Measuring field	16 x 16 points	
Angle of opening	Standard 42° - Opening angle adjustable in production	°
Wavelength	940nm	nm
Measurement frequency	Bis zu 50 Hz	Hz
Range	1.50 meters standard	m
Laser class	Class 1	
Minimum range	Standard 5 cm (up to 2 cm with lower accuracy possible)	cm
Repeatability	2 mm	mm
Lens properties	Hydrophobic and dust-repellent	

**Es
ti
m
at
ed**

service life

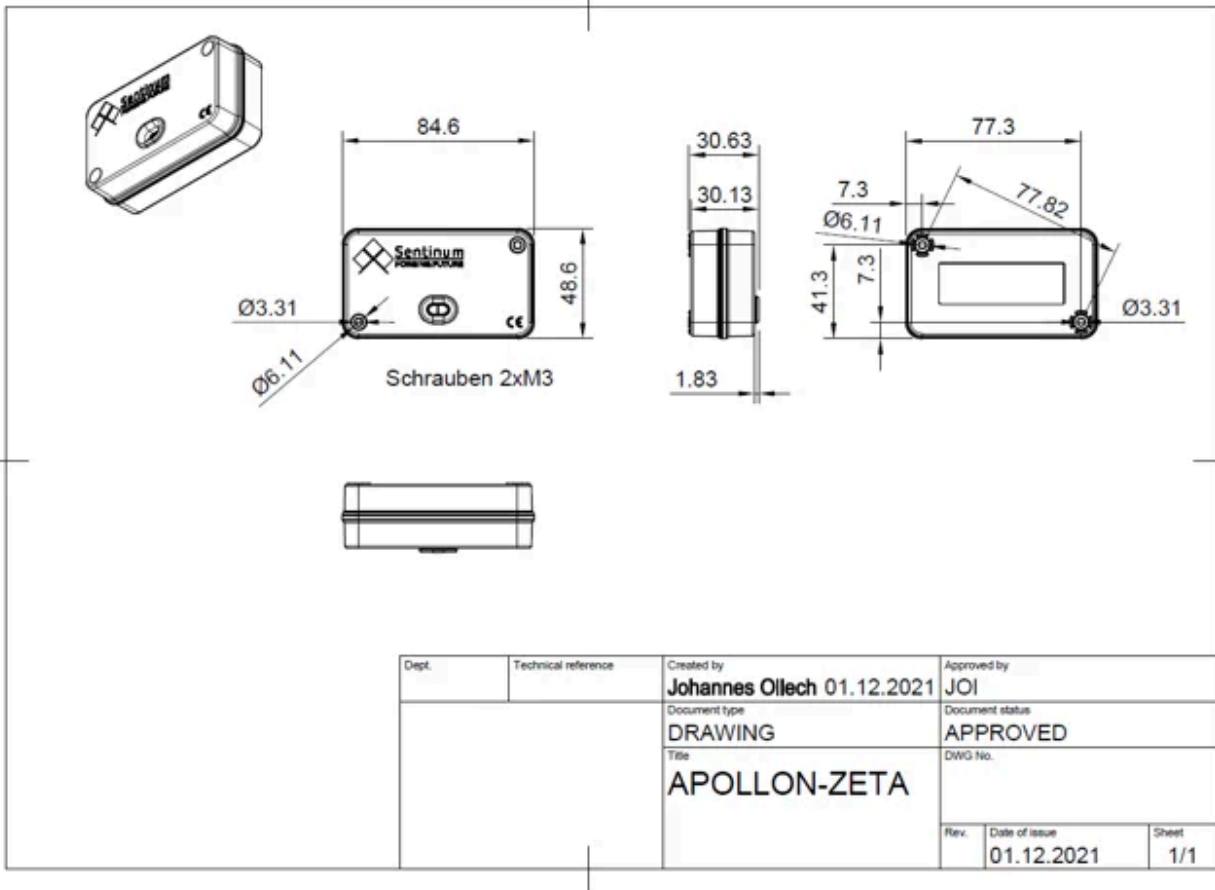
Shipments per day	24	12	16
LoRaWAN SF12	3,5	7	11
LoRaWAN SF7	8	14	20
mioty	7	8	9

**T
y**

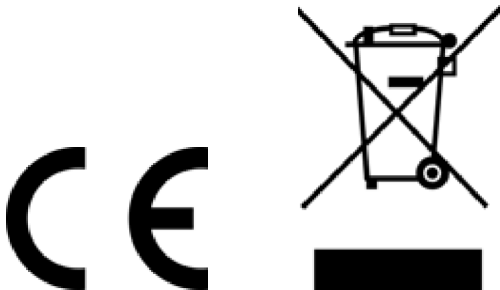
pes of installation

Motage species	Accessories
Screwing	-2x DIN912 M4x25/30/35/40 stainless steel V2A/A2 chipboard screws TX partial thread 4,0x25/30/35/40
Magnets	-2x Nedy magnets (indoor) together 32 kg -2x Ferri pot magnets (outdoor) together 16 kg -protective cap
Adhesive	Assembly adhesives

Estimated service life



Labeling and certification



Was this article helpful?

Related articles

[Apollon-Q T/R/TR General Description](#)

[Febris CO2 Data Converter in .js](#)

Neptune distance sensor technical data sheet

Apollon ZETA Data Converter in .js

Apollon ZETA Quickstart Guide



w
w
w
.s
e
n
ti
n
u
m
.
d
e



go to
www.sentinum.de

Go to
Customer
Portal

Write a
ticket