



Supercal 5

Installation guide

Installation guidelines for thermal energy meter Supercal 5 General

The static flow sensor and its calculator may only be operated within the conditions outlined on the identification plate, as well as within the technical specification! In the case of ignoring these default conditions, the manufacturer's responsibility is void and null. The manufacturer is not liable for inappropriate installation and operation. Seals may not be removed and/or only by authorized persons. The country-specific, local regulations, as well as the manufacturer instructions, must be respected! If the manufacturer's seal has been broken or damaged, the manufacturer cannot be made responsible for the change of the verified and measuring relevant data. When using several heat meters in an installation unit, fair heat consumption measurement must be chosen. All of them in the same types of device and installation positions

Before installation

- Check the design layout data of the installation.
- The pulse value of the calculator and the installation location must match the values indicated on the flow sensor, consult the identification plate!
- The permissible ambient temperature range of the calculator is 5 - 55°C.
- The installation and project prescriptions must be followed.
- The readability of the calculator and also the identification plates must be followed.

Remarks on the correct installation:

Conditions to comply with the directive 2014/32/EU (MID)

- The calculator is delivered as a heat meter as standard. If it is to be used as a cooling meter or as a combined cooling/heat meter, this must be specified when ordering. Other metrological parameters such as installation position or pulse value (Supercal 5 1 only) as well as non-metrological parameters such as M-Bus address can be parameterised with the Superprog software before sealing. Please note that metrological parameters can no longer be changed after the calculator has been sealed.
- The cable between the flow sensor and the calculator **cannot** be extended.
- All wiring must be installed with a minimum distance of 300 mm from heavy voltage and high frequency cables.
- Radiated heat and interfering electrical fields close to the calculator must be avoided.
- In general, the calculator should be installed away from the cooling pipes.
- It has to be ensured that no condensed water can run along the wires into the calculator.
- If the danger of vibrations in the piping system exists, the calculator should be installed separately on the wall.
- For temperatures over 90°C the calculator must be installed apart from the flow unit.
- The flow sensor should be installed between two shut-off valves.
- The flow sensor must be mounted with the measuring head to the side
- The flow direction of the flow sensor must be respected (arrow on the flow sensor).
- Flush the pipe system before installing the flow sensors. To guarantee that no foreign particles remain in the pipe.
- The flow sensor should be mounted **BEFORE** any control valve to exclude any potential parasitic influences.
- During commissioning the pipe system must be purged. Air in the system of the flow sensor may affect the measurement.
- Use only new and appropriate sealing material.
- Water tightness of the different connections should be verified.

The Supercal 5 is a compact calculator and consists of the following two partial units:

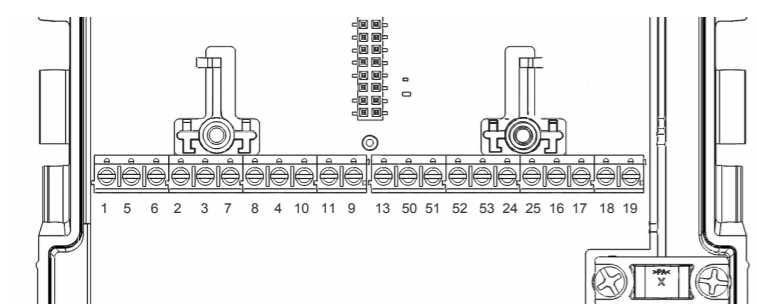
- Measuring and calibrating-relevant upper part
- Lower part

The pulse values of the calculator and of the flow unit, as well as the resistance value of the temperature sensors (Pt500) must match. Compare the labels of the devices!

Cable connection

To connect the inputs and outputs the calculator's upper part must be removed. Shielded cables must be grounded with a strain relief!

Terminal	connection type
5, 6	2-wire direct connection, temperature high
1, 5 and 6, 2	4-wire, temperature high
7, 8	2-wire direct connection, temperature low
3, 7 and 4, 8	4-wire, temperature low
10	(+) pulse inputs flow sensor 440 (white cable)
11	(-) pulse inputs flow sensor 440 (green cable)
9	Power supply of the flow sensor 440 (brown cable)
50	(+) Pulse input, additional pulse input 1
51	(-) Pulse input, additional pulse input 1
52	(+) Pulse input, additional pulse input 2
53	(-) Pulse input, additional pulse input 2
16	(+) Open collector-output 1
17	(-) Open collector output 1
18	(+) Open collector output 2
19	(-) Open collector output 2
24	M-Bus (polarity independent)
25	M-Bus (polarity independent)



Grounding

It has to be guaranteed that all grounding connections (line and power mains and chassis of the flow sensor) of the total installation are equipotential.

Power supply modules

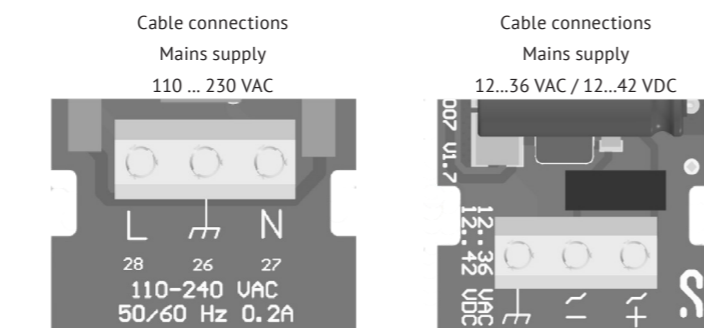
The power supply modules are connected by means of a plug-in connector to the main board.

Power Supply at the Calculator

The Supercal 5 can be supplied with either battery or mains modules: D Battery 3,6 V, mains 24 V (12 VAC to 36 VAC or 12VDC to 42 VDC), mains 230 VAC (110 VAC to 230 VAC, 50/60 Hz). These can be converted and retrofitted at any time. The mains module is equipped with a backup battery already installed.

The electrical connection of the mains power supply modules

The electrical connection has to be done in accordance with valid standards, under consideration of local safety regulations and by an authorized person. The electrical main is to be made in such way that no hot parts (pipes etc. over 80°C) can be touched (danger with damaged isolation). Water contact of the electrical connection must be avoided.



Backup battery in the calculator upper part

The upper part of the calculator, which is relevant for calibration and measurement, is equipped with an A-cell battery. This serves as power supply for the LCD display when the upper part of the calculator is removed from the lower part or when no power supply is available. The battery has a service life of about 10 years in the backup function.

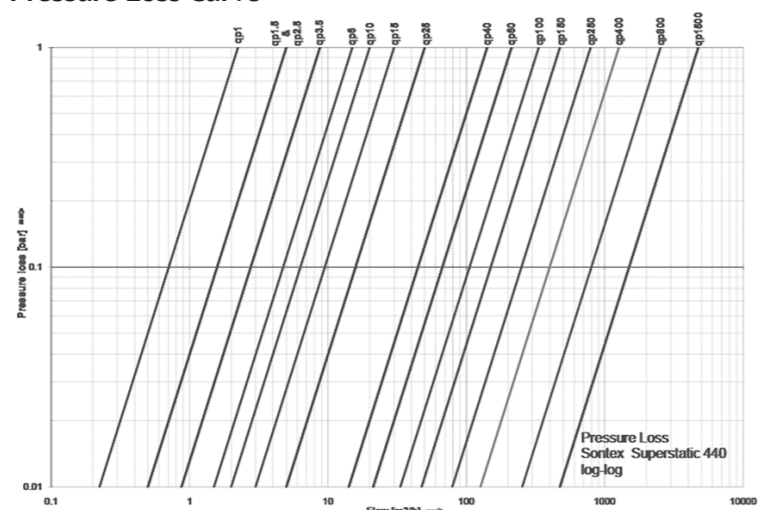
Safety instructions

The calculator is manufactured and tested according to EN 61010 safety control for measuring units and left the factory in perfect safety technical condition. To maintain this status and to guarantee the safe operation of the calculator, the user must respect the instructions contained in this document. When opening covers or removing parts, parts under power can be accessed. Further connection terminals can be under power. All repair and maintenance work may be only implemented by a trained and authorized specialist. If the housings and/or the connecting cable show any damage, the calculator unit should be disconnected and secured against accidentally reset up - put in operation. Generally, avoid an installation situation with an accumulation of heat above average. An above-average heat build-up affects substantially the lifetime of the electronic components. Heat meters are measuring devices and must be handled with care. To protect the unit against damage and contamination, the packing should be only removed at the moment of installation. For cleaning just use water moistened cloth and no solvent. The connecting and connection cable may not be fastened on the pipe and under no circumstances be isolated together with the pipe.

Function test

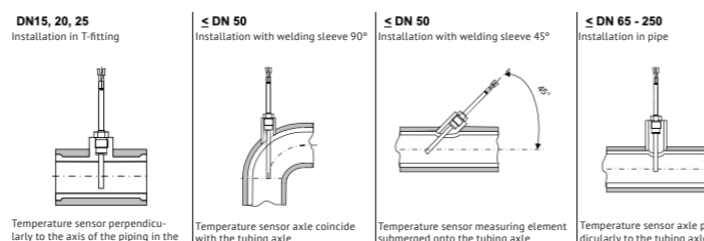
After opening the shut-off valves, the system must be checked for leaks. Then, by repeatedly pressing the user button, various operating parameters such as flow rate, output and flow and return temperature can be read on the LCD display of the calculator. If modules are installed, this is also shown on the LCD display (M1;M2). With the Superprog Windows and Superprog Android software, you can read additional information from the unit. All parameter displays are used to check the thermal energy meter or to adjust the system. It must be checked that the regulated flow of the system does not exceed the maximum permitted flow of the meter. A commissioning protocol via the optical interface with the readout software is recommended for a comprehensive functional check.

Pressure Loss Curve



Temperature sensors mounting

The temperatures indicated on the identification plate of the temperature sensors are to be observed. The temperature sensors are always paired. Only matched pairs are supplied and may not be separated, extended or shortened, since this affects the measuring accuracy. With temperature sensor pairs with a cable length longer than 3 m, we exclusively recommend the use of shielded temperature sensor pairs. In this case, the shields must be installed correctly. Temperature sensors with protection pockets must be inserted up to the stall - and fixed afterwards. With unequal cable lengths or longer than 6 m we recommend exclusively the use of four-wire technology. The temperature sensors can be installed alternatively in protection pockets or directly in the heating and/or cooling agent however always both in the same way. Asymmetrical mounting, one sensor direct the other with pockets, isn't permitted. The measuring tip of the temperature sensor part must be positioned in the center of the cross section of the pipe.

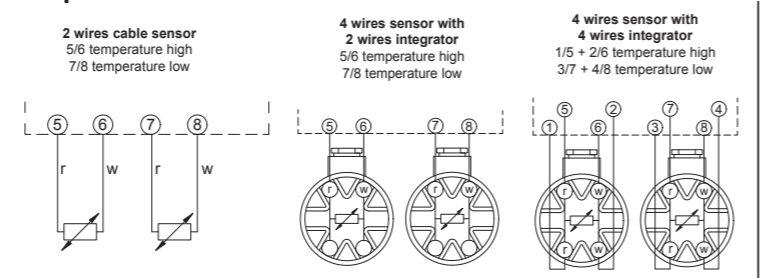


List of sensor pockets

Temperature sensor	Versions	Pocket	Part number	Material	Temperature range
Ø 6 x 31mm	Pt500	G3/8"	0460A202	Brass	0...100°C
Ø 6 x 31mm	Pt500	G1/2"	0460A206	Brass	0...100°C
Ø 6 x 85mm	Pt500, DIN	G1/2"	0460A207	Stainless	0...150°C
Ø 6 x 134mm	Pt500, DIN	G1/2"	0460A208	Stainless	0...150°C
Ø 6 x 174mm	Pt500, DIN	G1/2"	0460A209	Stainless	0...150°C

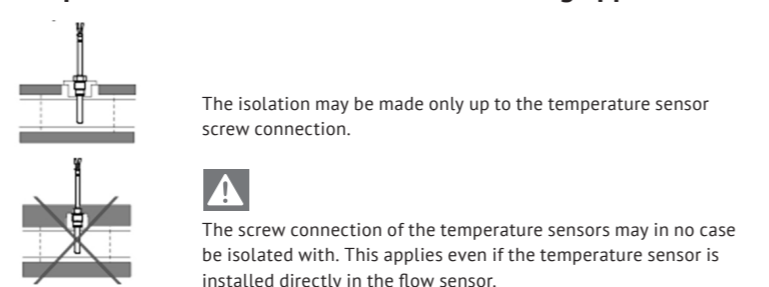
The resonance frequencies of the protection pockets are outside of the flow velocities at maximum flow (qs).

Temperature sensors connections



Wire cross section for head sensors ≥ 0,5 mm² (EN 1434-2)

Temperature sensor installation with cooling applications



Error messages

The Supercal 5 indicates occurring errors by displaying on the LCD the Err-sign together with a numbered code. If several errors occur at the same time, the numbers of the error codes are added.

1	Temperature reference 1 A/D: A cable of the temperature sensor is interrupted or not connected.
2	Temperature reference 2 A/D: A cable of the temperature sensor is interrupted or not connected.
4	Temperature reference 1 A/D: A cable of the temperature sensor is connected but its value can not be read out.
8	Temperature reference 2 A/D: A cable of the temperature sensor is connected but its value can not be read out.
16	Temperature sensor 1 < = min. Range error
32	Temperature sensor 1 > = max. Range error
64	Temperature sensor 2 < = min. Range error
128	Temperature sensor 2 > = max. Range error
512	The flow rate is higher than 1,5 qs
1024	The SCS is open
2048	Power outage
4096	M1 Power Supply / M1 Unsupported / Slot left error: Error in module 1: Details must be found into specific module error
8192	M2 Power Supply / M2 Unsupported / Slot right error: Error in module 2: Details must be found into specific module error

Errors will be registered in the error register with its date and time (beginning) and duration (in minutes).

Communication options

The Supercal 5 can be fitted with up to two different optional communication modules. The optional communication modules can be equipped afterwards, without damaging the verification. The optional modules have no influence on the verified relevant part in the cover of the integrator unit. At the latest 6 seconds after the installation, the calculator unit recognizes the plugged-in optional modules and the functions are freely available. When connecting the communication modules, the installation guidance - supplied with the unit - is to be considered.

Cooling liquids (Glycols)

In the calculator Supercal 5 more than 70 cooling liquids are programmed and many additional mixtures can be specified by software.

The feature of the calculator Supercal 5 for cooling applications with cooling liquids water mixtures is exclusively to be used with the flow sensor Superstatic 440 (Not to be used with mechanical flow sensors).

Note: If cooling liquids are used, the calculator or thermal energy meter loses its MID approval.

Display

The calculator Supercal 5 has the following display sequence:

- Main menu (Billing relevant data)
- Metrological
- Configuration
- Service
- Test Radio

LCD control concept

The control key can be used to select and confirm the various menus, parameters, or other selection options within the display.



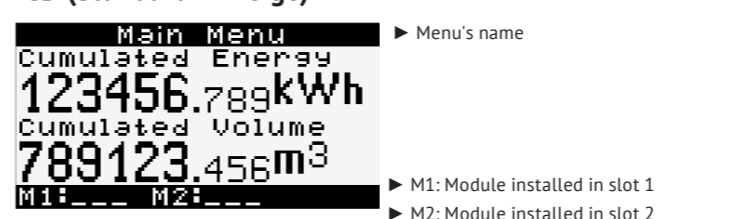
- The Right key has two functions:
 - One single press and it selects next menu.
 - Press it for Two Seconds in the "Overview Menu" and you can enter to the highlighted menu.



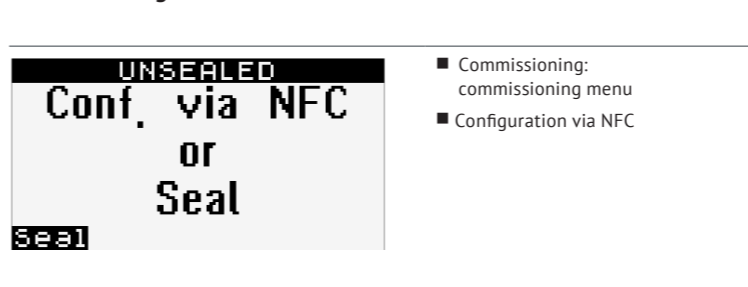
- Left key is designated to select previous menu.
- If you are in any of the menus and you press both key, LEFT and RIGHT for two seconds, you get back to the "Overview Menu".

After 3 minutes the display of the calculator switches automatically back to the main menu.

LCD (Standard-Anzeige)



Commissioning Menu



The sealing can be performed via NFC with the Superprog Android application or via optical head or M-Bus with the Superprog Windows application.

To perform the configuration with Superprog Android proceed as follows:

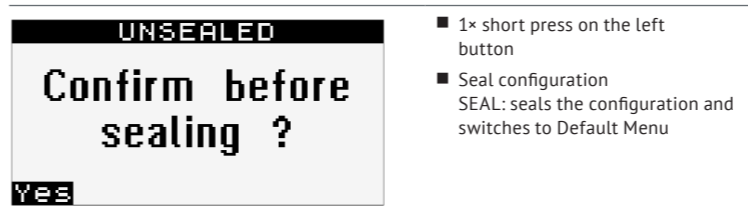
- Open the application on the phone, select the "INSTALL/CONFIGURE" option and follow the instructions on the screen.
- Once the installation assisted by Superprog Android is finished, Superprog Android will ask you to Seal the calculator. Select "YES".

Remember that Superprog Windows has more options to configure the Supercal 5.

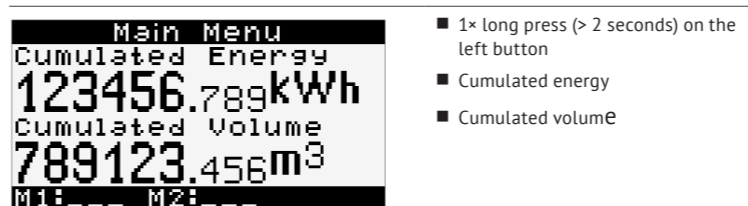
To perform the configuration with Superprog Windows proceed as follows:

- Start Superprog Windows on the computer
- Connect to Supercal 5 via the selected interface.
- Configure all the desired values.
- Once you have configured the desired values, press the "WRITE" button to confirm the changes and when you are requested to confirm the changes, you can check the checkbox to Seal the Supercal 5.

If at this point, after configuring the device, you have not yet sealed the Supercal 5, you can do so manually as indicated in the following menu display.

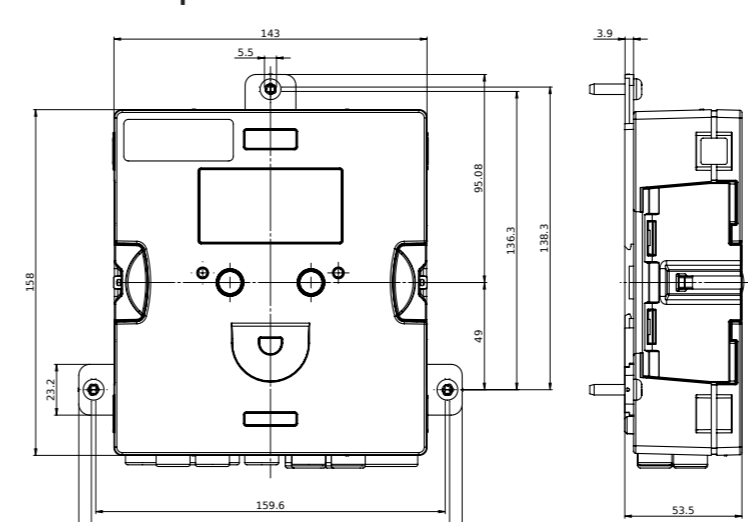


- 1x short press on the left button
- Seal configuration: SEAL: seals the configuration and switches to Default Menu

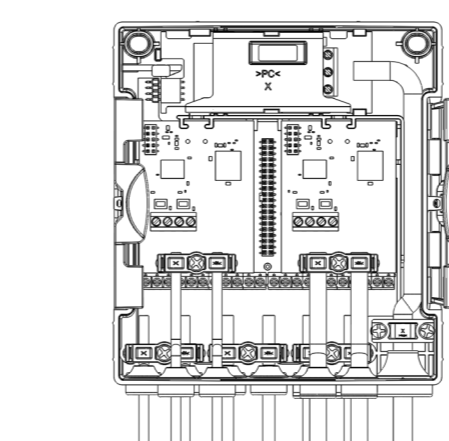


- 1x long press (> 2 seconds) on the left button
- Cumulated energy
- Cumulated volume

Dimension Supercal 5



Supercal 5 Lower Part



Conditions to comply with the directive 2014/32/EU (MID)

- The temperature sensors have to be mounted symmetrically in flow and return and preferably without pockets. If using pocket they must be in accordance with the conformity declaration. Flow and return sensors must be mounted to the bottom of the pockets. Installation places in the flow sensor can be used with the symmetrical installation of the temperature sensor pair. Asymmetrical mounting of the temperature sensor isn't permitted.
- In case of permanent mounted temperature sensor pairs the connecting cables must not be shortened. In case of exchangeable temperature sensor pairs according to MID the maximum equal length is 15 m. Wire cross sections according to EN 1434-2. Connection to the calculator according to terminal connection on page 2 by respecting the electrical compatibility Pt. 500 of the calculator.
- Straight sections of piping of 3 DN in flow and return of any flow meter or heat meter must be respected. For the Superstatic 440 up to DN 40 (qp10) the straight sections of piping of 3 DN are already included in the length of the flow sensor.
- The selection of the battery has to take place in such a way that it permits at least a supply of auxiliary energy over the duration of the application plus 1 year storage period.
- Information about the measuring stability is described in the conditions for water measurement in accordance with AGFW requirements FW 510. In case of deviating compositions the thermal energy meter must be submitted to periodic control according to the guidelines of Sontex.
- If a customer specific correction curve is applied, a sticker must be placed on the cover of the calculator and completed with the serial number of the sensor head. Replacement of the sensor head, as it is described in the homologation, isn't possible in this case.

Manufacturer's notice:

The heat / cooling meter Superstatic 5 S is configured and adjusted ex factory to the different sizes of fluid oscillator flow sensors. An optimal measuring accuracy and stability according to EN 1434 class 2 is guaranteed and a free swapping of the sensor head is possible. Sontex declines all responsibility on specific correction curves of the fluid oscillator flow sensors that we're not defined by Sontex.

Security seals

Seals are country specific; the local regulations must be respected. Against possible manipulation or unauthorized dismantling, the thermal energy meters, the screw connections, as well as the temperature sensors and pockets must be protected with user seals. The seals may be removed only by authorized persons. By neglecting this precaution the guarantee obligation is void. It is important that the seal wires are kept as short as possible and are well strained towards the seals. Only this way, the seal is protected against unauthorized interference.

Sealing

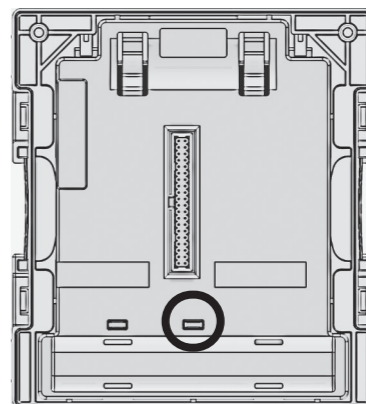
The sealing concept is subject to country-specific regulations. The sealing points shown here were included in the construction of the Supercal 5.

Once the Supercal 5 is manufactured, it come out from factory as *unsealed*. It mean it has to be installed at least with the following operations:

- Fixing it to its operable and definitive location.
- Installing the two temperatures sensor.
- Installing the power supply if required

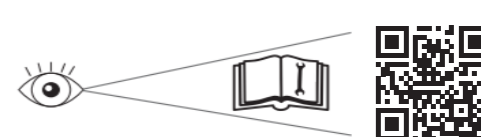
The calculator of the Supercal 5 S is then closed and mounted. It is then necessary to seal the calculator either via the menu on the display or via Superprog Android/Windows. If the installer needs to change other metrological parameters, this can be done using the Superprog Android or Superprog Windows software. (Android version is recommended).

From this moment on, and if at any time it is necessary to return to commissioning mode or the "Unsealed" state, the seal shown in the following image must be broken:



In the case of divergences, the English version takes precedence. Bei Abweichungen hat die englische Version des Inhalts Vorrang

Further information



Technical support

For technical support contact your local Sontex agent or Sontex SA directly.

Declaration of conformity



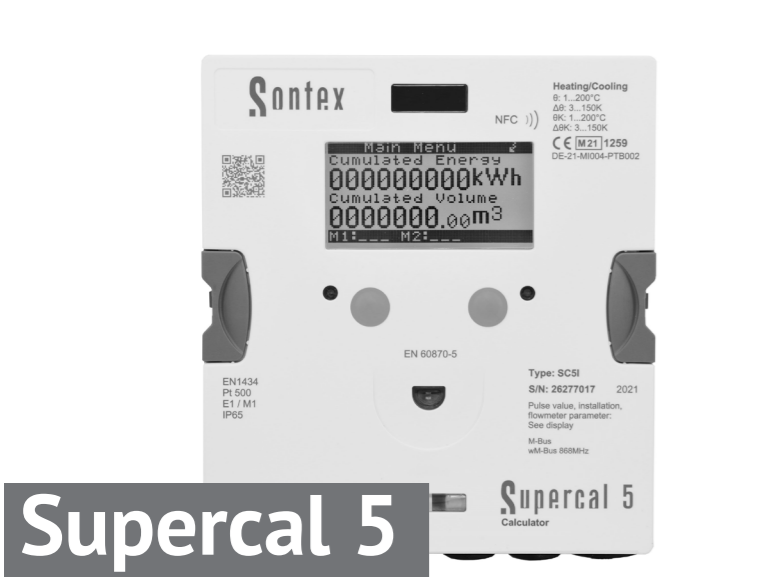
The detailed declaration of conformity can be found and downloaded on our homepage www.sontex.ch

Hotline Sontex

support@sontex.ch
+41 32 488 30 04
Technical modifications subject to change without notice



Sontex SA
Rue de la Gare 27
CH-2605 Sonceboz
Tel. +41 32 488 30 00
sontex@sontex.ch
www.sontex.ch



Supercal 5

Installationsanleitung



Einbau- und Betriebsanleitung statischer thermischer Energiezähler Supercal 5

Allgemeines

Der statische Durchflusssensor und das Rechenwerk dürfen nur innerhalb der auf dem Typenschilder sowie in der technischen Spezifikation aufgeführten Bedingungen betrieben werden. Bei Missachtung dieser Vorgaben ist eine Haftung des Herstellers ausgeschlossen. Der Hersteller haftet nicht für unsachgemäßen Einbau und Betrieb. Plomben dürfen nicht bzw. nur durch autorisierte Personen entfernt werden, dabei sind länderspezifische und lokale Vorschriften sowie die Herstellerangaben zu beachten! Der Hersteller übernimmt keine Verantwortung für die Änderung der eich- und mesrelevanten Daten, falls die werkseitige Verplombung aufgebrochen oder verletzt worden ist. Bei der Verwendung von mehreren Wärmehählern in einer Abrechnungseinheit sollten im Interesse einer möglichst gerechten Wärmeverbrauchsmessung gleiche Gerätarten und Einbaulagen gewählt werden.

- Vor der Montage**
- Auslegungsdaten der Anlagen überprüfen.
 - Die Impulswertigkeit und der Einbaort des Durchflusssensors müssen mit den auf dem Rechenwerk angegebenen Werten übereinstimmen, Typenschilder beachten!
 - Die zulässige Umgebungstemperatur beim Rechenwerk beträgt 5 ... 55°C.
 - Die Installations- und Projektierungsvorschriften sind zu beachten.
 - Die Ablesbarkeit des Rechenwerks und sämtlicher Typenschilder ist sicher zu stellen.

Hinweise zur richtigen Zählermontage: Bedingungen zur Einhaltung der Richtlinie 2014/32/EU (MID)

- Das Rechenwerk wird standardmässig als Wärmehähler ausgeliefert. Ist eine Verwendung als Kältezähler oder als kombinierter Kälte-/Wärme-Zähler vorgesehen muss dies bei der Bestellung angegeben werden. Weitere metrologische Parameter wie z.B. Einbaulage oder Pulswertigkeit (nur Supercal 5 J) sowie nicht metrologische Parameter wie z.B. M-Bus Adresse können vor der Plombierung mit der Software Superprog parametrisiert werden. Bitte beachten Sie, dass metrologische Parameter nach der Plombierung des Rechenwerks nicht mehr geändert werden können.
- Das Kabel zwischen dem Durchflusssensor und dem Rechenwerk darf nicht verlängert werden!
- Alle Leitungen müssen mit einem Mindestabstand von 300 mm zu Starkstrom- und Hochfrequenzkabeln verlegt werden.
- Strahlungswärme und elektrische Störfelder in der Nähe des Rechenwerks sind zu vermeiden.
- Das Rechenwerk ist generell abgesetzt von der Kälteleitung zu montieren.
- Es ist darauf zu achten, dass kein Kondenswasser entlang der angeschlossenen Leitungen ins Rechenwerk laufen kann.
- Sofern die Gefahr von Erschütterungen oder Schwingungen im Rohrleitungssystem besteht, sollte das Rechenwerk getrennt an der Wand montiert werden.
- Bei Medium-Temperaturen über 90°C sollte das Rechenwerk abgesetzt montiert werden.
- Der Durchflusssensor sollte zwischen zwei Absperrventilen montiert werden.
- Bei der horizontalen Montage des Durchflusssensors muss der Messkopf seitlich liegen.
- Beim Durchflusssensor ist die Durchflussrichtung zu beachten (Pfeil auf dem Durchflusssensor).
- Die Rohrleitung ist vor der Montage des Durchflusssensors zu spülen, um zu gewährleisten, dass sich keine Fremdkörper in der Leitung befinden.
- Der Durchflusssensor soll VOR möglichen Regel-Ventilen montiert werden um mögliche Störeinflüsse auszuschliessen.
- Die Leitungen sind bei der Inbetriebnahme zu entlüften. Luft im System oder im Durchflusssensor kann das Messergebnis beeinträchtigen.
- Verwenden Sie nur geeignetes, neues Dichtungsmaterial.
- Die Dichtigkeit der verschiedenen Anschlüsse muss überprüft werden.

Das Supercal 5 ist eine kompakte Einheit und besteht aus den folgenden zwei Teileinheiten:

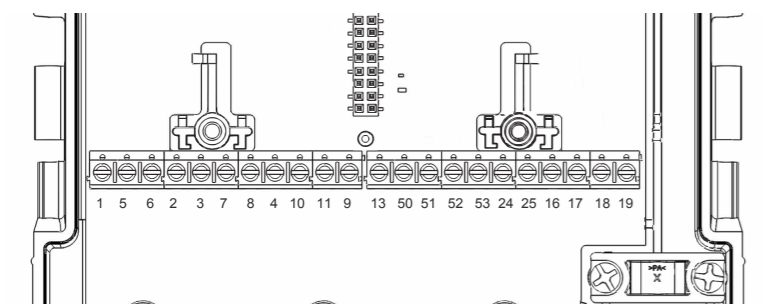
- Mess- und kalibrierrelevantes Oberteil
- Unterer Teil

Die Impulswertigkeit des Rechenwerks und des Durchflusssensors sowie der Widerstand der Temperaturfühler(Pt500) müssen aufeinander abgestimmt sein. Etiketten der Geräte vergleichen!

Kabelanschlüsse

Zum Anschluss der Ein- und Ausgänge ist das Oberteil des Rechenwerks zu entfernen. Geschirmte Kabel müssen mit der Zugentlastung geerdet werden!

Klemme	Anschlussart
5, 6	Direktanschluss 2-Leitertechnik, Temperatur hoch
1, 5 und 6, 2	4-Leitertechnik, Temperatur hoch
7, 8	Direktanschluss 2-Leitertechnik, Temperatur tief
3, 7 und 4, 8	4-Leitertechnik, Temperatur tief
10	(+) Impulseingang Durchflusssensor 440 (weisses Kabel)
11	(-) Impulseingang Durchflusssensor 440 (grünes Kabel)
9	Spannungsversorgung Durchflusssensor 440 (braunes Kabel)
50	(+) Impulseingang zusätzlicher Impulseingang 1
51	(-) Impulseingang zusätzlicher Impulseingang 1
52	(+) Impulseingang zusätzlicher Impulseingang 2
53	(-) Impulseingang zusätzlicher Impulseingang 2
16	(+) Open collector-Ausgang 1
17	(-) Open collector-Ausgang 1
18	(+) Open collector-Ausgang 2
19	(-) Open collector -Ausgang 2
24	M-Bus (Polarität unabhängig)
25	M-Bus (Polarität unabhängig)



Erdung

Es ist darauf zu achten, dass sämtliche Erdungsanschlusspunkte (Leitungsnetz, externe Spiegung und Chassis vom Durchflusssensor) der Gesamtinstallation äquipotential sind.

Spannungsversorgungsmodulare

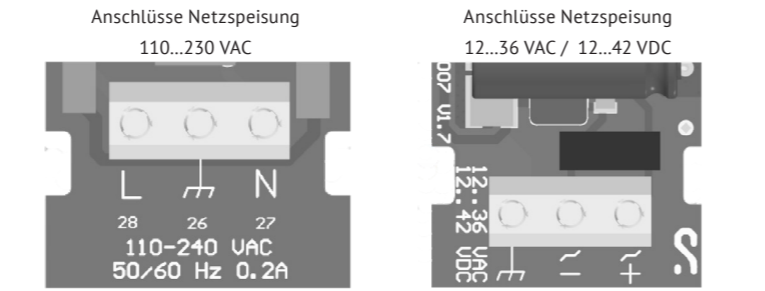
Die Spannungsversorgungsmodulare werden mittels einer Steckverbindung an die Hauptanschlussplatine angeschlossen.

Speisungen

Das Supercal 5 kann entweder mit Batterie- oder Netzspeisung geliefert werden: D-Batterie 3,6 V, Netz 24 V (12 VAC bis 36 VAC oder 12VDC bis 42 VDC), Netz 230 VAC (110 VAC bis 230 VAC, 50/60 Hz). Speisungen können jederzeit umgebaut und nachgerüstet werden. Das Gehäuseoberteil ist mit einer bereits installierten Backup-Batterie ausgestattet.

Der elektrische Anschluss der Netzmodule

Der elektrische Anschluss ist gemäss gültigen Normen und unter Berücksichtigung lokaler Sicherheitsvorschriften von einer autorisierten Person auszuführen. Die elektrische Netzleitung ist so zu verlegen, dass keine heissen Teile (Rohre etc. über 80°C) berührt werden können (Gefahr bei beschädigter Isolation). Die elektrischen Anschlüsse dürfen nicht mit Wasser in Berührung kommen.



Backupbatterie im Rechenwerkoberteil

Das kalibrier- und messtechnisch relevante Rechenwerk-Oberteil ist mit einer Zellenbatterie ausgestattet. Diese dient als Stromversorgung für die LCD-Anzeige, wenn das Rechenwerk-Oberteil vom Unterteil abgenommen wird oder wenn keine Speisung vorhanden ist. Die Batterie hat in der Backupfunktion eine Lebensdauer von rund 10 Jahre.

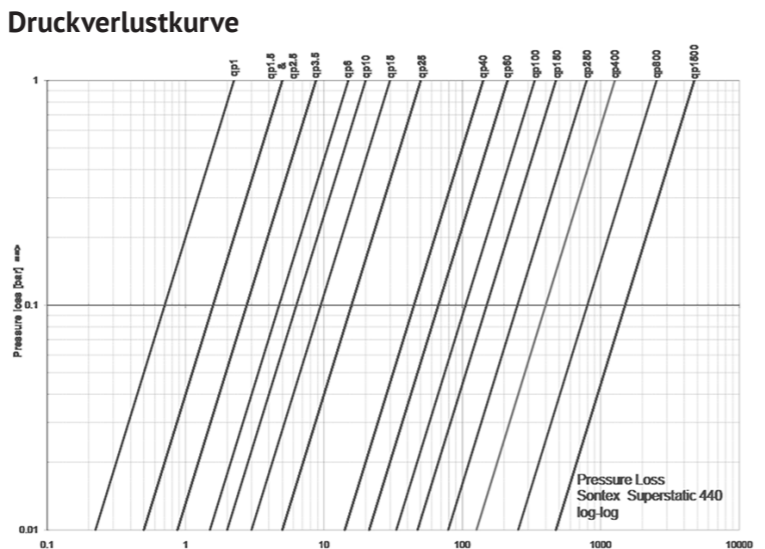
Sicherheitshinweise

Das Rechenwerk ist gemäß EN 61010 Schutzmaßnahmen für elektronische Messgeräte gefertigt und geprüft und hat das Werk in sicherheitstechnisch einwandfreiem Zustand verlassen. Zur Erhaltung dieses Zustands und zum gefahrlosen Betreiben des Supercal 5 muss der Anwender die Hinweise und Warnvermerke beachten, die in der Installationsanleitung enthalten sind. Beim Öffnen von Abdeckungen oder Entfernen von Teilen, außer wenn dies von Hand möglich ist, können spannungsführende Teile freigelegt werden. Weiterhin können Anschlussstellen spannungsführend sein. Sämtliche Reparaturen- und Wartungsarbeiten dürfen nur von einer hierfür ausgebildeten und befugten Fachkraft ausgeführt werden. Weisen Gehäuse und/oder Anschlusskabel Beschädigungen auf, so ist das Rechenwerk außer Betrieb zu setzen und gegen versehentliche Wiederinbetriebnahme zu sichern. Vermeiden Sie generell eine Einbausituation mit einem überdurchschnittlichen Wärmestau. Ein überdurchschnittlicher Wärmestau beeinflusst massiv die Lebenszeit der elektronischen Bauteile. Wärmehähler sind Messgeräte und sorgsam zu behandeln. Zum Schutz vor Beschädigung und Verschmutzung sollte die Verpackung erst unmittelbar vor dem Einbau entfernt werden. Zur Reinigung ist ausschließlich ein mit Wasser befeuchtetes Tuch zu verwenden, keine Lösungsmittel. Die Anschluss- und Verbindungskabel dürfen nicht an der Rohrleitung befestigt und keinesfalls mit isoliert werden.

Funktionskontrolle

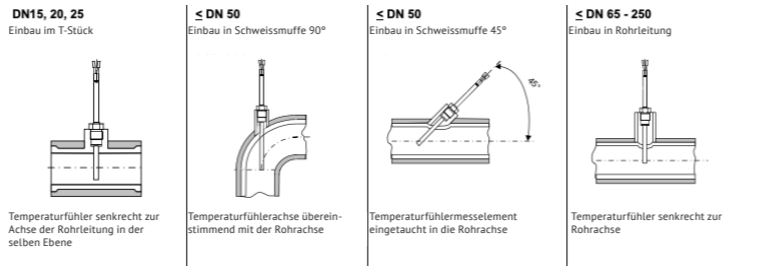
Nach dem Öffnen der Absperrvorrichtungen ist die Anlage auf Dichtigkeit zu prüfen. Danach können durch wiederholtes Drücken der Benutzertaste verschiedene Betriebsparameter wie z. B. Durchfluss, Leistung sowie Vor- und Rücklauftemperatur auf der LCD-Anzeige des Rechenwerks abgelesen werden. Sind Module eingebaut, wird dies ebenfalls auf dem LCD-Display angezeigt (M1, M2). Mit der Software Superprog Windows und Superprog Android können Sie zusätzliche Informationen aus dem Gerät lesen.

Sämtliche Parameteranzeigen dienen zur Kontrolle des thermischen Energiezählers bzw. zur Eingeregulierung der Anlage. Es ist zu überprüfen, dass der eingeregulierte Durchfluss der Anlage den maximal erlaubten Durchfluss des Zählers nicht überschreitet. Zur umfassenden Funktionsprüfung wird ein Inbetriebnahmeprotokoll über die optische Schnittstelle mit der Auslese-Software empfohlen.



Temperaturfühlermontage

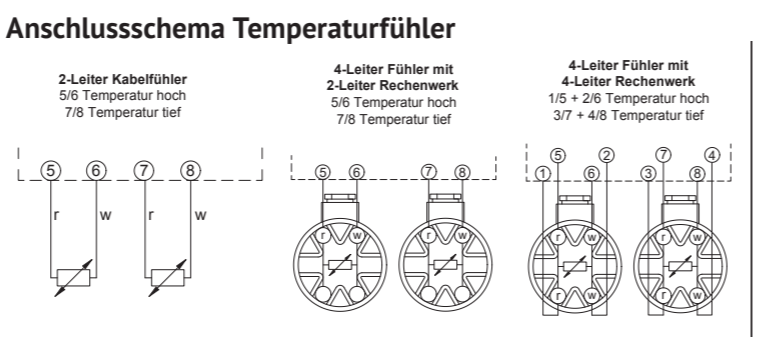
Die auf dem Typenschilder der Temperaturfühler angegebenen Temperaturen sind zu beachten. Die Temperaturfühler sind immer gepaart abgestimmt. Sie werden nur gepaart geliefert und dürfen nicht getrennt, verlängert oder gekürzt werden, da dies die Messgenauigkeit beeinflusst. Bei Temperaturfühlerpaaren mit einer Kabellänge länger als 3 m, empfehlen wir ausschließlich den Einsatz von geschirmten Temperaturfühlerpaaren. In diesem Fall muss die Abschirmung korrekt angelegt werden. Temperaturfühler in Tauchhülsen müssen bis zum Anschlag eingeführt werden – anschließend fixieren. Bei ungleichen Kabellängen oder länger 6 m empfehlen wir ausschließlich die Vierleitertechnik. Die Temperaturfühler können wahlweise in Tauchhülsen oder direkt ins Heizungs- bzw. Kühlmedium montiert werden beide aber immer gleich. Eine asymmetrische Montage, ein Fühler direkt und der andere mit Tauchhülse, ist nicht zulässig. Der messaktive Bereich der Temperaturfühlerspitze muss sich in der Mitte des Rohrleitungsquerschnitts befinden.



Zuordnungstabelle Tauchhülsen

Temperaturfühler	Versionen	Tauchhülse	Artikelnummer	Material	Temperaturbereich
Ø 6 × 31mm	Pt500	G3/8"	0460A202	Messing	0 ... 100°C
Ø 6 × 31mm	Pt500	G1/2"	0460A206	Messing	0 ... 100°C
Ø 6 × 85mm	Pt500, DIN	G1/2"	0460A207	Edelstahl	0 ... 150°C
Ø 6 × 134mm	Pt500, DIN	G1/2"	0460A208	Edelstahl	0 ... 150°C
Ø 6 × 174mm	Pt500, DIN	G1/2"	0460A209	Edelstahl	0 ... 150°C

Die Resonanzfrequenzen der Tauchhülsen liegen ausserhalb der Fließgeschwindigkeiten bei maximalem Durchfluss (qs).



Anschlusschema Temperaturfühler

Temperaturfühlereinbau bei Kälteanlagen

Die Isolation darf nur bis zur Temperaturfühlerverschraubung vorgenommen werden.

Die Verschraubung der Temperaturfühler darf auf keinen Fall mit isoliert werden. Dies gilt auch, wenn der Temperaturfühler direkt im Durchflusssensor montiert ist.

Fehlermeldungen

Das Supercal 5 Rechenwerk zeigt auftretende Fehler an, indem auf dem LCD das Err-Zeichen zusammen mit einem nummerierten Code angezeigt wird. Treten mehrere Fehler gleichzeitig auf, werden die Nummern der Fehlercodes addiert.

1	Temperaturreferenz 1 A/D: Ein Kabel des Temperatursensors ist unterbrochen oder nicht angeschlossen.
2	Temperaturreferenz 2 A/D: Ein Kabel des Temperatursensors ist unterbrochen oder nicht angeschlossen.
4	Temperaturreferenz 1 A/D: Ein Kabel des Temperatursensors ist angeschlossen, aber sein Wert kann nicht ausgelesen werden.
8	Temperaturreferenz 2 A/D: Ein Kabel des Temperatursensors ist angeschlossen, aber sein Wert kann nicht ausgelesen werden
16	Temperaturfühler 1 < = min. Bereich Fehler
32	Temperaturfühler 1 > = max. Bereich Fehler
64	Temperaturfühler 2 < = min. Bereich Fehler
128	Temperaturfühler 2 > = max. Bereich Fehler
512	Die Durchflussrate ist höher als 1,5 qs
1024	Der SC5 ist offen
2048	Stromausfall
4096	M1-Stromversorgung / M1 nicht unterstützt / Slot links Fehler: Fehler in Modul 1: Details müssen zu dem spezifischen Modulfehler gefunden werden
8192	M2-Stromversorgung / M2 nicht unterstützt / Slot rechts Fehler: Fehler in Modul 2: Details müssen in spezifischen Modulfehler gefunden werden

Fehler werden mit Datum und Uhrzeit (Beginn) und Dauer (in Minuten) in das Fehlerregister eingetragen.

Optionale Kommunikationsmodule

Das Supercal 5 Rechenwerk kann mit bis zu zwei verschiedenen optionalen Kommunikationsmodulen ausgestattet werden. Die optionalen Kommunikationsmodule können nachgerüstet werden, ohne die Eichung zu beschädigen. Die optionalen Module haben keinen Einfluss auf das verifizierte relevante Teil im Deckel des Rechenwerks. Spätestens 6 Sekunden nach der Installation erkennt das Rechenwerk die eingesteckten optionalen Module und die Funktionen sind frei verfügbar. Beim Anschliessen der Kommunikationsmodule ist die Installationsanleitung, die mit der Einheit geliefert wird, zu beachten.

Kühlmittel (Glykol)

Im Rechenwerk Supercal 5 sind mehr als 70 Kühlfülligkeiten programmiert und viele weitere Mischungen können von der Software vorgegeben werden. Die Funktion des Rechenwerks Supercal 5 für Kühlanwendungen mit Kühlfülligkeits-Wasser-Gemischen ist ausschließlich für die Verwendung mit dem Durchflusssensor Superstatic 440 vorgesehen (nicht für die Verwendung mit mechanischen Durchflusssensoren).

Hinweis: Bei der Verwendung von Kühlmitteln verliert das Rechenwerk resp. der thermische Energiezähler die MID-Zulassung.

Anzeigen

Das Rechenwerk Supercal 5 hat die folgende Anzeigereihenfolge:

- Hauptmenü (Fakturierungsrelevante Daten)
- Metrologisch
- Konfiguration
- Service

LCD-Steuerungskonzept

Die Taste Rechts hat zwei Funktionen:

- Ein einziger Druck, und schon wird der nächste Menüpunkt ausgewählt.
- Drücken Sie im „Übersichtsmenü“ zwei Sekunden lang darauf, und Sie können in das markierte Menü wechseln.

Die linke Taste dient zur Auswahl des vorherigen Menüpunkts. Wenn Sie sich in einem der Menüs befinden und beide Tasten, LINKS und RECHTS, zwei Sekunden lang drücken, gelangen Sie zurück zum „Übersichts-menü“.

Nach 3 Minuten schaltet die Anzeige des Rechenwerks automatisch in das Hauptmenü zurück.

LCD (Standard-Anzeige)

Menü Typ

M1: Modultyp installiert in Slot 1

M2: Modultyp installiert in Slot 2

Inbetriebnahme Menü

- Inbetriebnahme: Menü Inbetriebnahme Konfiguration via NFC

Die Versiegelung kann über NFC mit der Superprog Android-Anwendung oder über den optischen Auslesekopf oder M-Bus mit der Superprog Windows-Anwendung durchgeführt werden.

Um die Konfiguration mit Superprog Android durchzuführen, gehen Sie wie folgt vor:

- Öffnen Sie die Anwendung auf dem Mobiltelefon, wählen Sie die Option "INSTALL/CONFIGURE" und folgen Sie den Anweisungen auf dem Bildschirm.

- Sobald die von Superprog Android unterstützte Installation abgeschlossen ist, werden Sie von Superprog Android aufgefordert, das Rechenwerk zu versiegeln. Wählen Sie "YES".

Denken Sie daran, dass Superprog Windows mehr Optionen zur Konfiguration des Supercal 5 bietet.

Um die Konfiguration mit Superprog Windows durchzuführen, gehen Sie wie folgt vor:

- Starten Sie Superprog Windows auf dem Laptop.

- Stellen Sie eine Verbindung zum Supercal 5 über die ausgewählte Schnittstelle her.

- Konfigurieren Sie alle gewünschten Werte.

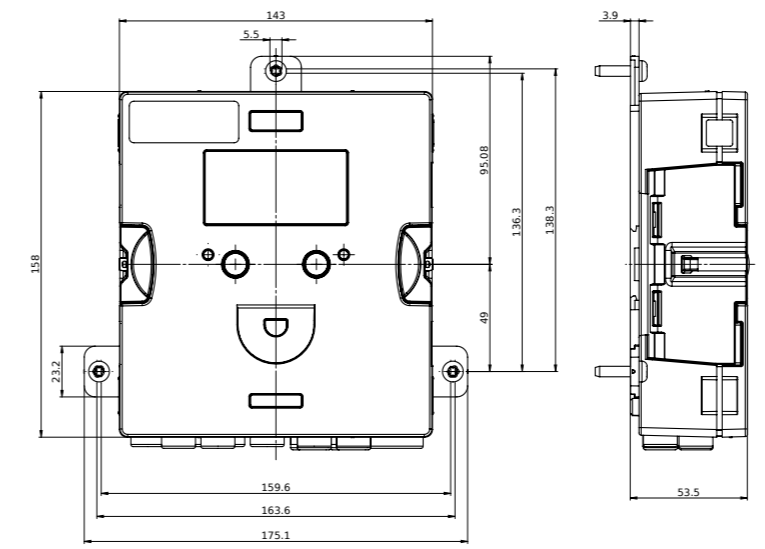
- Wenn Sie die gewünschten Werte konfiguriert haben, drücken Sie die Schaltfläche "WRITE", um die Änderungen zu bestätigen. Wenn Sie aufgefordert werden, die Änderungen zu bestätigen, können Sie das Kontrollkästchen aktivieren, um den Supercal 5 zu versiegeln.

Wenn Sie zu diesem Zeitpunkt, nach der Konfiguration den Supercal 5 noch nicht versiegelt haben, können Sie dies manuell tun, wie in der folgenden Menüanzeige angegeben.

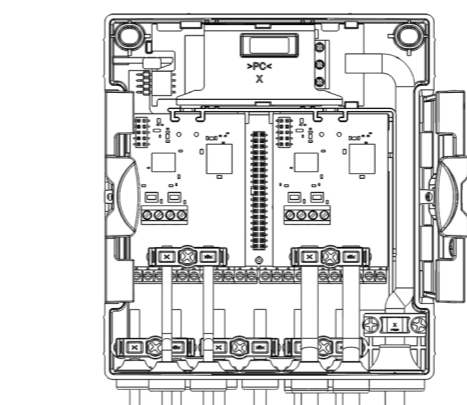
- 1x Kurzer Druck auf die linke Taste
- Rechenwerk plombieren Plombierung: Versiegelt die gewählte Konfiguration und wechselt in das Standardmenü

- 1x langes Drücken (> 2 Sekunden) der linken Taste
- Kumulierte Energie
- Kumuliertes Volumen

Massbild Rechenwerk Supercal 5



Supercal 5 Unterteil



Bedingungen zur Einhaltung der Richtlinie 2014/32/EU (MID)

- Die Temperaturfühler sind symmetrisch in den Vor- und Rücklauf und vorzugsweise direkt einzubauen. Bei Verwendung von Tauchhülsen müssen diese ausschließlich für die verwendeten Temperaturfühler konformitätsuntersucht sein. Die Vor- und Rücklauffühler müssen auf den Tauchhülsenböden aufsitzen. Einbaustellen im Durchflusssensor können unter symmetrischem Einbau der Temperaturfühler genutzt werden. **Asymmetrischer Einbau der Temperaturfühler ist nicht zulässig.**
- Im Falle fest angeschlossener Temperaturfühler dürfen die Anschlussleitungen nicht gekürzt werden. Im Falle austauschbarer konformitätsgekennzeichneter Temperaturfühler beträgt deren maximale Länge gleichlang für den Vor- und Rücklauf 15 m, für die Leitungsquerschnitte gilt EN 1434-2. Deren Anschluss erfolgt an die gekennzeichneten Anschlussbereiche unter Beachtung der elektrischen Kompatibilität Pt 500 des Rechenwerks.
- Eine gerade Rohrstrecke von 3 DN ist vor und nach jedem Durchflusssensor oder Wärmehähler einzuhalten. Für den Superstatic 440 bis DN 40 (qp10) ist die gerade Rohrstrecke im Durchflusssensor enthalten.
- Die Auswahl der Batterie hat so zu erfolgen, dass diese mindestens über die Länge der geplanten Einsatzdauer und 1 Jahr Lagerfrist eine Versorgung mit Hilfsenergie gestattet.
- Angaben zur Messbeständigkeit erfolgen unter den Bedingungen einer Wasserzusammensetzung gemäß AGFW-Anforderungen FW 510. Im Falle abweichender Zusammensetzungen muss der thermische Energiezähler ausgebaut und regelmäßigen Instandsetzungen gemäß der Instandsetzungsrichtlinie der Firma Sontex unterzogen werden.
- Bei der Anwendung von benutzerdefinierten Korrekturkurven ist eine Hinweisetikette am Rechenwerk anzubringen und mit der Seriennummer des Messkopfs zu ergänzen. Ein freies Austauschen des Messkopfs, wie es in der Zulassung beschrieben ist, ist in diesem Fall nicht möglich.

Herstellerrhinweis:

Die Wärmehähler und Kältezähler Superstatic 5 S sind von Werk aus fest programmiert und abgestimmt auf die verschiedenen Grössen von Schwingstrahl-Durchflusssensoren. Eine optimale Messrichtigkeit und –Beständigkeit nach EN 1434 Klasse 2 ist somit garantiert und ein freies Austauschen des Messkopfes ist möglich. Sontex lehnt jede Verantwortung ab für benutzerdefinierte Korrekturkurven für den Schwingstrahl Durchflusssensor, die nicht von Sontex definiert wurden.

Plombierungen

Da die Plombierungen länderspezifisch unterschiedlich sein können, sind die lokalen Vorschriften zu beachten. Gegen allfällige Manipulation oder den unbefugten Ausbau müssen die thermischen Energiezähler, die Versraubungen sowie die Temperaturfühler und Tauchhülsen mit Benutzerplomben versehen werden. Die Plomben dürfen nur durch autorisierte Personen entfernt werden. Bei Nichtbeachtung entfällt die Gewährleistungspflicht. Es ist wichtig, dass die Plombierdrähte so kurz wie möglich ausgelegt werden und zur Plombe gut gespannt sind. Nur so ist die Plombierung gegen unbefugten Eingriff geschützt.

Versiegelung

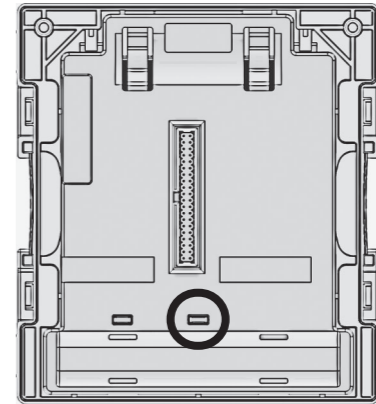
Die Versiegelung unterliegt länderspezifischen Vorschriften. Die hier gezeigten Siegelstelen wurden bei der Konstruktion das Supercal 5 berücksichtigt. Sobald das Supercal 5 hergestellt ist, kommt er als unversiegelt aus der Fabrik. Das bedeutet, dass er mindestens mit den folgenden Arbeitsschritten installiert werden muss:

- Befestigung an seinem funktionsfähigen und endgültigen Standort.
- Installation der zwei Temperatursensoren.
- Installieren der Stromversorgung, falls erforderlich

Das Rechenwerk des Supercal 5 wird dann geschlossen und montiert.

Dann ist es erforderlich, das Rechenwerk entweder über das Menü auf dem Display oder über Superprog Android/Windows zu versiegeln. Wenn der Installateur andere metrologische Parameter ändern muss, kann dies mit der Software Superprog Android oder Superprog Windows erfolgen. (Android-Version wird empfohlen)

Von diesem Moment an und wenn es zu einem bestimmten Zeitpunkt erforderlich ist, im den Inbetriebnahme-Modus oder den Zustand "Unversiegelt" zurückzukehren, muss das im folgenden Bild gezeigte Siegel aufgebrochen werden:



In the case of divergences, the English version takes precedence. Bei Abweichungen hat die englische Version des Inhalts Vorrang

Weitere Informationen

- 1x Kurzer Druck auf die linke Taste
- Rechenwerk plombieren Plombierung: Versiegelt die gewählte Konfiguration und wechselt in das Standardmenü

- 1x langes Drücken (> 2 Sekunden) der linken Taste
- Kumulierte Energie
- Kumuliertes Volumen

Technische Unterstützung

Für technische Unterstützung wenden Sie sich an die lokalen Sontex Vertretungen oder direkt an Sontex SA.

Konformitätserklärung

Die detaillierte Konformitätserklärung zum Herunterladen finden Sie auf unserer Homepage www.sontex.ch

Hotline Sontex

support@sonetx.ch
+41 32 488 30 04
Technische Änderungen vorbehalten

Konformitätserklärung

Die detaillierte Konformitätserklärung zum Herunterladen finden Sie auf unserer Homepage www.sontex.ch

Sontex
your link to innovative metering

Sontex SA
Rue de la Gare 27
CH-2605 Sonceboz

Tel. +41 32 488 30 00
sontex@sontex.ch
www.sontex.ch