



TEKTELIC COMMUNICATIONS INC.

Document type: **User Guide**

Document number: **T0005158_UG**

Document version: **0.6**

Document Status: **Approved**

Product name: **Kona Macro Gateway**

Product codes: **See Table 1**

TEKTELIC Communications Inc.
7657 10th Street NE
Calgary, AB, Canada T2E 8X2
Phone: (403) 338-6900

© 2019 TEKTELIC Communications Inc., All rights reserved.

All products, names and services are trademarks and registered trademarks of their respective companies.

Disclaimer:

Material contained in this document is subject to change without notice. The material herein is solely for information purposes and does not represent a commitment by TEKTELIC or its representatives. TEKTELIC has prepared the information contained in this document solely for use by its employees, agents, and customers. Dissemination of this information and/or concepts to other parties is prohibited without the prior written consent of TEKTELIC. In no event will TEKTELIC be liable for any incidental or consequential damage in connection with the furnishing, performance or use of this material.

TEKTELIC reserves the right to revise this publication in accordance with formal change control procedures defined by TEKTELIC.

Revision History

Version	Date	Status	Editor	Comments
0.2	Jan. 11, 2018	Draft	S. Morrison	First release
0.3	Feb, 01, 2018	Draft	S. Morrison	Added language translation
0.31	Feb. 13, 2018	Draft	T. Danshin	Updated Table 1 and Table 4 to only reference North American models
0.32	Feb. 13, 2018	Draft	T. Danshin	Updated product descriptions in Table 1 and 4
0.33	Feb 14, 2018	Approved	T. Danshin	Updated MPE information
0.34	Feb 14, 2018	Approved	T. Danshin	Updated Radio Compliance Statements
0.4	Feb 15, 2018	Approved	S. Morrison	Restore Table 1 and Table 4 to show all certified models. Removed Section 3.
0.5	Apr 24, 2019	Approved	Z. Herasymiuk	Added North American 2 variant products to T-Code Table Added Pt 27 FCC to Regulatory Table
0.6	Jul 30, 2019	Approved	Z. Herasymiuk	Added Proposition 65 Statements

Table of Contents

1	Product Description	5
1.1	Overview	5
1.2	Physical Interfaces.....	7
1.3	Specifications.....	9
2	Installation	10
2.1	Safety Precautions.....	10
2.2	Unpacking and Inspection	11
2.3	Required Equipment for Installation.....	11
2.4	Kona Macro Gateway Mounting	11
2.5	Ground Cable Installation	14
2.6	Direct DC Power Cable Installation	15
2.7	RF Cable Installation.....	16
2.8	Copper Ethernet Cable Installation	16
2.9	Proposition 65 Statement	16
3	Radio Compliance Statements	17
4	Description du produit.....	18
4.1	aperçu.....	18
4.2	Interfaces physiques	20
4.3	Spécifications.....	22
5	Installation	24
5.1	Précautions de sécurité.....	24
5.2	Déballage et inspection.....	25
5.3	Équipement pour l'installation.....	25
5.4	Montage de la passerelle Kona Macro.....	25
5.5	Installation du câble de masse	28
5.6	Installation directe du câble d'alimentation CC.....	29
5.7	Installation du câble RF	30
5.8	Installation du câble Ethernet en cuivre	30

6 déclarations de conformité radio 31

1 Product Description

1.1 Overview

The Kona Macro Gateway is an outdoor hardened LoRaWAN IoT gateway that supports the full range of LoRa WAN channels. The Gateway supports one external LoRa antenna, an internal GPS antenna, two power options including direct DC input power or Power over Ethernet (PoE), and two backhaul options including copper Ethernet or 3G/4G wireless. Table 1 presents the currently available Kona Macro Gateway models.

Table 1: Kona Macro Gateway Models

Product Code	Modem	Geolocation	Region	Mode
T0005129	LTE	Yes	North America	FDD
T0005130	LTE	No	Europe	TDD
T0005131	LTE	Yes	Europe	TDD
T0005169	LTE	No	China	470 FDD
T0005179	LTE	Yes	China	470 FDD
T0005180	LTE	No	China	780 TDD
T0005181	LTE	Yes	China	780 TDD
T0005182	LTE	No	Japan	TDD
T0005183	LTE	Yes	Japan	TDD
T0005184	LTE	No	Singapore	TDD
T0005185	LTE	Yes	Singapore	TDD
T0005186	LTE	No	Australia	TDD
T0005187	LTE	Yes	Australia	TDD
T0005247	No	No	North America	FDD
T0005248	No	Yes	North America	FDD
T0005249	No	No	Europe	TDD
T0005250	No	Yes	Europe	TDD
T0005251	No	No	China	470 FDD
T0005252	No	Yes	China	470 FDD
T0005253	No	No	China	780 TDD
T0005254	No	Yes	China	780 TDD
T0005255	No	No	Japan	TDD
T0005256	No	Yes	Japan	TDD
T0005257	No	No	Singapore	TDD
T0005258	No	Yes	Singapore	TDD
T0005259	No	No	Australia	TDD
T0005260	No	Yes	Australia	TDD

T0005261	No	No	New Zealand	TDD
T0005262	No	Yes	New Zealand	TDD
T0005263	LTE	No	New Zealand	TDD
T0005264	LTE	Yes	New Zealand	TDD
T0005265	No	No	BCIL	TDD
T0005266	No	Yes	BCIL	TDD
T0005267	LTE	No	BCIL	TDD
T0005268	LTE	Yes	BCIL	TDD
T0005269	No	No	Taiwan	TDD
T0005270	No	Yes	Taiwan	TDD
T0005271	LTE	No	Taiwan	TDD
T0005272	LTE	Yes	Taiwan	TDD
T0005273	No	No	Australia 2	FDD
T0005274	No	Yes	Australia 2	FDD
T0005275	LTE	No	Australia 2	FDD
T0005276	LTE	Yes	Australia 2	FDD
T0005277	No	No	Australia 2	TDD
T0005278	No	Yes	Australia 2	TDD
T0005279	LTE	No	Australia 2	TDD
T0005280	LTE	Yes	Australia 2	TDD
T0006031	No	No	North America 2	FDD
T0006032	No	Yes	North America 2	FDD
T0006033	LTE	No	North America 2	FDD
T0006034	LTE	Yes	North America 2	FDD

Figure 1 illustrates the Kona Macro Gateway external form-factor with the front view on the left and rear view on the right. All models share the same mechanical form-factor.



Figure 1: Kona Macro Gateway Common Dimensions

1.2 Physical Interfaces

Figure 2 illustrates the bulkhead layout for the Kona Macro Gateway. All models share the same bulkhead layout.

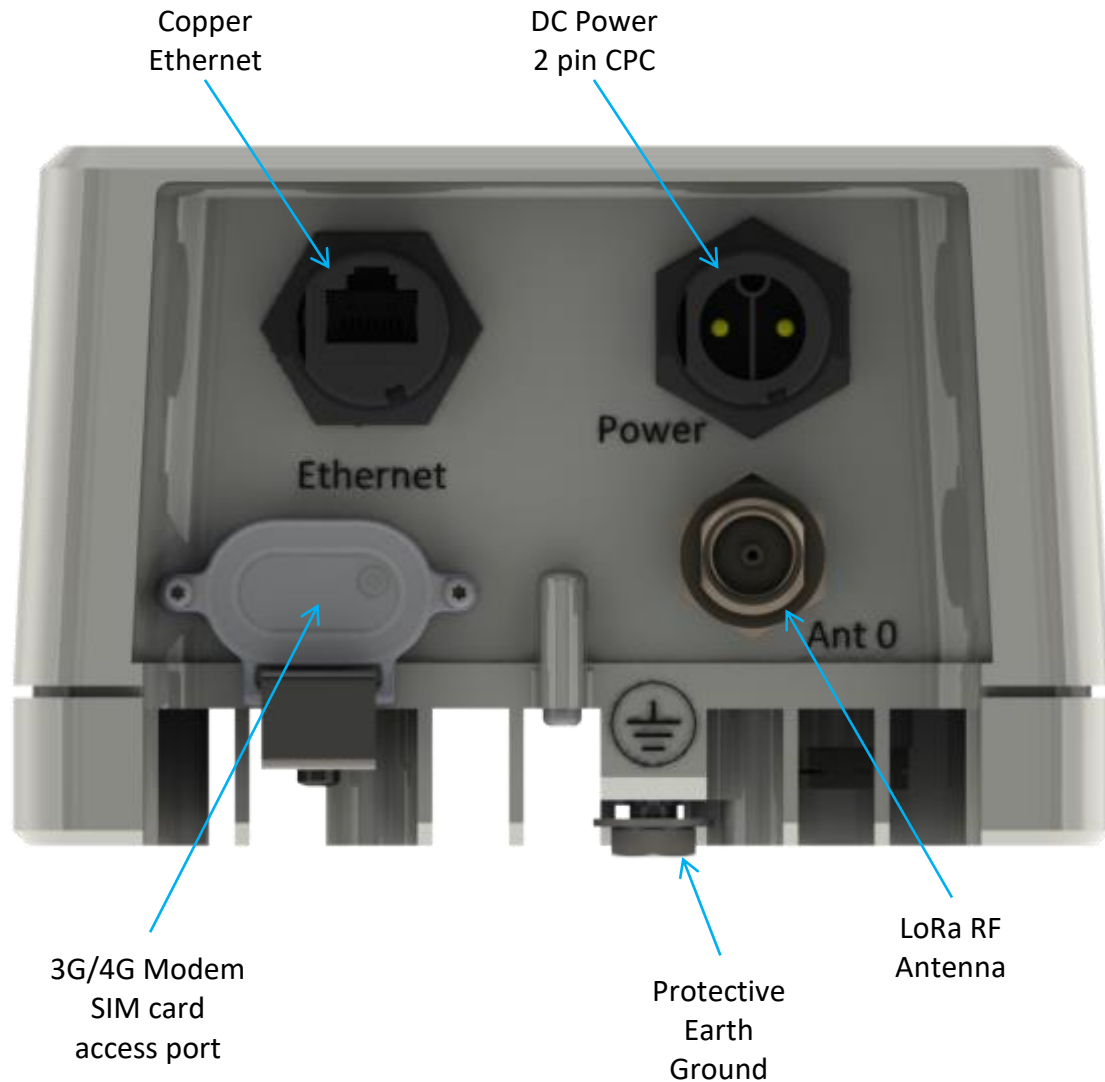


Figure 2: Kona Macro Gateway Bulkhead Layout

All Kona Gateway module interconnect is located on the bottom facing bulkhead. The RF connectors are water proof while un-mated but all other connectors must be terminated with mating connectors or covered with the supplied protective cap when not in use in order to be water tight. Connector types and their mating connectors are listed in Table 2.

Table 2: Kona Macro Gateway Interface Connector Types

Interface	Connector Type	Mating Connector
LoRa Antenna Ports	N-Type female	Industry standard N-Type male

3G/4G Modem SIM card	SIM card	Industry standard, located behind SIM card access port cover
Copper Ethernet Port	Threaded, circular, RJ-45	Shenzhen Chogori Technology Co., Ltd. approved mating connector (p/n 33000111-02 or equivalent)
Direct DC Power Input Port	Threaded, circular, 2 contact DC power	Shenzhen Chogori Technology Co., Ltd. approved mating connector (p/n 23002211-02, or equivalent)
Earth Ground	Chassis Protective Earth Ground terminal	Industry standard 2-hole lug, 1/4 x 0.75" spacing

1.3 Specifications

The Kona Macro Gateway specifications are listed in Table 3.

Table 3: Kona Macro Gateway Specifications

Attribute	Specification
Dimensions	222.2mm (8.7") wide x 101mm (4.0") deep x 287.3mm (11.3") tall
Weight	5.1 kg (11.3 lbs)
Operating Temperature	-40°C to 60°C (-40°F to 140°F) at sea level Including solar loading.
Relative Humidity	10% to 100%
Operating Altitude	-60 m to 4,000 m (-197 ft to 13,123 ft)
Power Input, Direct DC	48 VDC nominal, 37 to 57 VDC operating range. Positive or negative ground referenced feed. SELV source required. 5A recommended input overcurrent protection (2A minimum to 10A maximum allowed).
Power Input, PoE	802.3 at (Type 2 Class 4), Mode A or Mode B or 4-pair Mode.
Power Consumption	20 W maximum
Weather Tightness	UL Type 6 (IP-67)
Regulatory Compliance	CSA/UL 60950-1 & CSA/UL 60950-22, CE IEC 60950-1 FCC Pt. 15, RSS-247, EN 301 489-1 FCC Pt. 27 (North American 2 Variant Only)
Surge Protection	All interfaces are protected to primary levels.

2 Installation

2.1 Safety Precautions

- The Kona Macro Gateway must be installed in a restricted access location (such that touching of the Gateway by non-service persons is not likely).
- The Kona Macro Gateway may become hot to the touch during normal operation at elevated ambient temperatures.
- The Kona Macro Gateway has no internal field serviceable parts. The Gateway module must only be opened by an approved TEKTELIC service center.
- All installation practices must be in accordance with the local and national electrical codes.
- Do not work on the system during periods of lightning activity.
- The Kona Macro Gateway is considered permanently connected equipment. The Protective Earth Ground connection (that is, the two-hole lug to chassis ground) is always required.
- Ensure the Kona Macro Gateway Protective Earth Ground connection is properly terminated prior to the connection of any other interface.
- The Kona Macro Gateway contains primary lightning surge suppression on the Direct DC power port, the Copper Ethernet port, and the LoRa RF antenna port. The primary lightning protectors have the ability to bridge the interface to chassis isolation boundary during over-voltages. Ensure that the Protective Earth Ground connection is always in place.
- Ensure that the Kona Macro Gateway is secured to eliminate any physical hazard to people or property. The Gateway must be securely mounted according to the mounting instructions prior to any cable connection and operation.
- The Kona Macro Gateway does not contain a power disconnection device; a readily accessible disconnection device must be incorporated external to the Kona Macro Gateway.
- The direct DC powered Kona Macro Gateway shall be supplied through an input overcurrent protection device rated not more than 10 A. The overcurrent protection must have the appropriate current interrupt capacity for the power source and must be incorporated into the non-earthed conductor(s) of the Kona Macro Gateway DC supply.
- For the direct DC power input, the DC positive pin must be at positive potential relative to the DC negative pin. If the polarity is reversed, the unit will not sustain damage but will not operate until the connection polarity is corrected.

- Although the Kona Macro Gateway can be powered through either the direct DC input or the power over Ethernet (PoE) input, simultaneous application of power to both inputs may result in unexpected operation and shall be avoided.
- The Kona Macro Gateway power source must meet SELV requirements.
- Always ensure the 3G/4G Modem SIM card access port is properly sealed after installing a SIM card.

2.2 Unpacking and Inspection

The following should be considered during the unpacking of a new Kona Macro Gateway.

1. Inspect the shipping carton and report any significant damage to TEKTELIC.
2. Unpacking should be conducted in a clean and dry location when possible.
3. Do not discard the shipping box or foam inserts as they will be required if a unit is returned for repair or re-configuration.

2.3 Required Equipment for Installation

The following tools are required to install the Kona Macro Gateway module:

1. A 6 point metric socket set and torque wrench drive.
2. Anti-oxidant compound (NO-OX-ID, Penetrox, Noalox, Ox-Gard or equivalent).
3. A small wire brush.
4. A clean cloth.
5. Weatherproofing tape kit for the RF connector (Scotch Wireless Weatherproofing Kit, WK-101 recommended).
6. Appropriately sized pipe clamps for pole mounting or appropriate screws or bolts (four sized M8) with any required anchors according to the wall construction for wall mounting.

2.4 Kona Macro Gateway Mounting

Kona Macro Gateway is designed to be mounted to a vertical pole or wall using the supplied mounting bracket which attaches at the four screw locations on the back of the module illustrated in Figure 3.



Figure 3: Kona Macro Gateway Mounting Bracket Attachment Screw Locations

The mounting bracket is a single part that bolts to the back surface of the Gateway using supplied hardware (four M6x1.0 - 14 mm bolts with flat and star lock washers) as illustrated in Figure 4. The Gateway module must be oriented with the connector bulkhead facing down, towards earth.

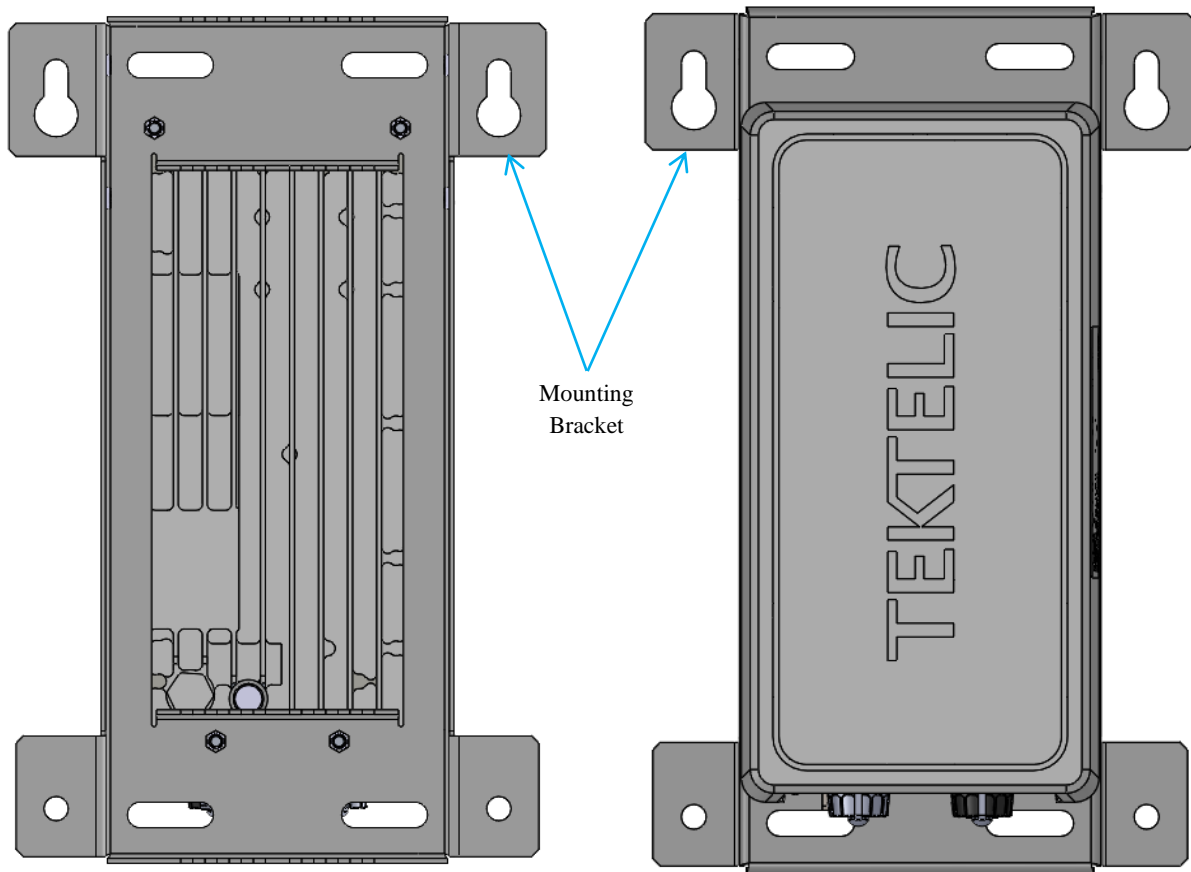


Figure 4: Kona Macro Gateway Module with Mounting Bracket

Ensure that the structure to which the Gateway is being mounted is secure and able to support a dead load of at least 136 kg (300 lbs). The area below must be free of any obstructions to cable ingress.

The Kona Macro Gateway wall mounting procedure is as follows:

1. Bolt the wall mounting bracket to the Gateway module using the supplied bolts and washers.
2. Install 2 site supplied M8 bolts into the wall at 139.7 mm (5.5") center spacing, leaving the bolt heads protruding with a 2mm gap from the wall surface.
3. Hang the Kona Macro Gateway with bracket from the two bolts by inserting the keyhole slots at the top of the bracket onto the 2 bolts and tightening the bolts.
4. Insert and tighten two additional site supplied M8 bolts through the holes at the bottom of the bracket.

The Kona Macro Gateway pole mounting procedure is as follows:

1. Bolt the wall mounting bracket to the Gateway module using the supplied bolts and washers.
2. While temporarily supporting the Gateway with bracket, install the two site supplied pipe clamps, one through each of the upper and lower slotted clamp mounting points.

2.5 Ground Cable Installation

The Kona Macro Gateway is considered Permanently Connected Equipment and requires a permanently connected Protective Earth Ground (PEG) conductor. The Protective Earth Ground connection is made through a 1/4 x 0.75" on center double hole lug to the ground termination point illustrated in Figure 5. The recommended ground cable gauge is #10 AWG.

The Kona Macro Gateway grounding system shall follow local and national electrical codes. The Protective Earth Ground conductor terminated at the double hole lug point is mandatory and must be the first connection made to the Kona Macro Gateway during installation. Proper routing and termination of this cable is key to robust lightning withstand performance; in high susceptibility installations, every effort shall be made to minimize connection inductance and ground bed resistance.

The ground cable installation steps are as follows:

1. Lightly abrade the surface of the casting ground area with a fine wire brush to remove the oxide layer.
2. Use a clean cloth to remove any debris from this surface.
3. Immediately coat the contact surface with a thin layer of anti-oxidant compound.
4. Install the ground cable through its 2-hole lug onto the chassis ground point using the two supplied 1/4 - 20 x 1/2" bolts with flat and star lock washers, torqued to 10.4 Nm (92 in·lbs).

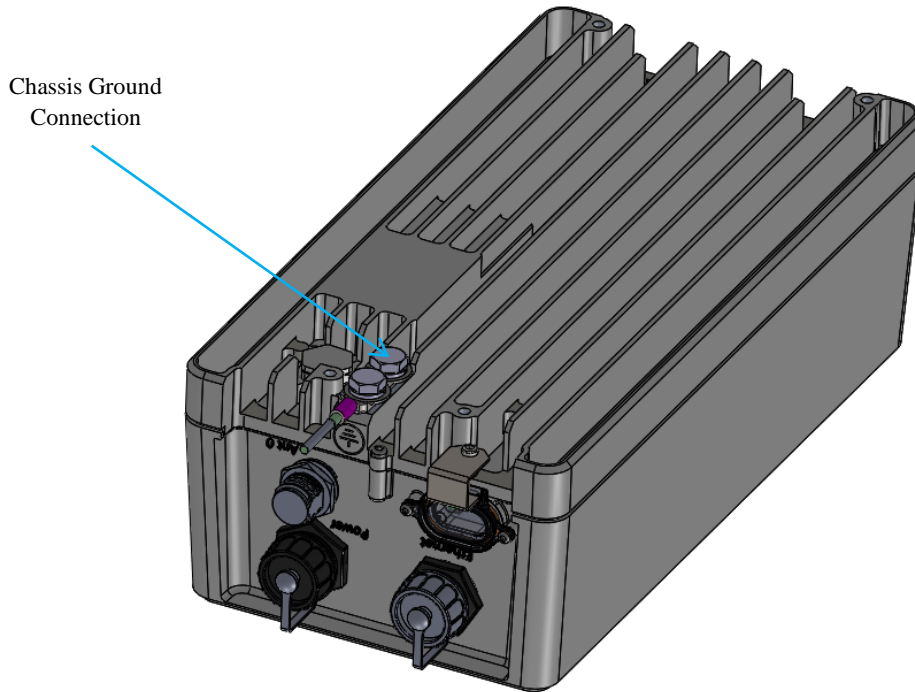


Figure 5: Chassis Ground Connection

2.6 Direct DC Power Cable Installation

The Kona Macro Gateway direct DC feed terminates at a dedicated two pin circular plastic connector (CPC) on the bulkhead. The direct DC power input is isolated from chassis (earth) with the exception of the primary surge suppressors. One lead of the DC power feed is normally earth referenced external to the Kona Macro Gateway (usually at the power source by convention).

The DC power cable shall be rated for outdoor application according to local and national electrical codes.

The CPC direct DC connector shall be as specified in Table 2 and shall follow the signal polarity identified in Figure 6.



Figure 6: Direct DC Power CPC Connector Connection Polarity

2.7 RF Cable Installation

The Kona Macro Gateway installation requires connection to a LoRa RF antenna. The RF cable attaches to the N-Type connector located on the bulkhead of the Gateway. Torque the connector to 1.7 to 2.3 Nm (15 to 20 in·lbs). The N-Type connector interface to a cable is not water proof and must be taped to be used outdoors. TEKTELIC recommends taping with Scotch Wireless Weatherproofing Kit, WK-101. Follow the taping procedures outlined by the supplier of this tape system.

Note that the 3G/4G modem antenna is internal to the Kona Macro Gateway.

2.8 Copper Ethernet Cable Installation

The Kona Macro Gateway Ethernet port may be used on a temporary basis for commissioning and maintenance or may be permanently connected for backhaul. When the port is not in use, the weatherproof protective cap must be installed. When the port is permanently connector for backhaul, the proper water-tight mating connector specified in Table 2 must be used.

The Ethernet cable must have minimum 24 AWG conductors and shall be rated for outdoor application according to local and national electrical codes.

2.9 Proposition 65 Statement

⚠ WARNING: This product can expose you to chemicals including lead, beryllium & nickel, which is known to the State of California to cause cancer, birth defects or other reproductive harm. For more information, go to www.P65Warnings.ca.gov.

3 Radio Compliance Statements

Federal Communications Commission

This device complies with Part 15 of the FCC Rules. Operation is subject to the following two conditions:

1. This device may not cause harmful interference, and
2. This device must accept any interference received, including interference that may cause undesired operation.

Changes or modifications not expressly approved by the party responsible for compliance could void the user's authority to operate the equipment.

This equipment has been tested and found to comply with the limits for a Class B digital device, pursuant to Part 15 of the FCC Rules. These limits are designed to provide reasonable protection against harmful interference in a residential installation. This equipment generates uses and can radiate radio frequency energy and, if not installed and used in accordance with the instructions, may cause harmful interference to radio communications. However, there is no guarantee that interference will not occur in a particular installation. If this equipment does cause harmful interference to radio or television reception, which can be determined by turning the equipment off and on, the user is encouraged to try to correct the interference by one of the following measures:

- Reorient or relocate the receiving antenna.
- Increase the separation between the equipment and receiver.
- Connect the equipment into an outlet on a circuit different from that to which the receiver is connected.
- Consult the dealer or an experienced radio/TV technician for help.

To comply with FCC/IC RF exposure limits for general population / uncontrolled exposure, the antennas used for this transmitter must be installed to provide a separation distance of at least 30 cm from all persons and must not be co-located or operating in conjunction with any other antenna or transmitter. This product must be installed by professional trained RF technicians.

Industry Canada

This Device complies with Industry Canada License-exempt RSS standard(s). Operation is subject to the following two conditions:

1. This device may not cause interference, and
2. This device must accept any interference, including interference that may cause undesired operation of the device.

This radio transmitter 22504-T0005158 has been approved by Industry Canada to operate with the antenna types listed below with the maximum permissible gain indicated. Antenna types not included in this list, having a gain greater than the maximum gain indicated for that type, are strictly prohibited for use with this device.

The required antenna impedance is 50 ohms.

Only omnidirectional type antennas with maximum gain of 8dBi can be used for the LoRa radios of this product if the cable insertion loss at 900 MHz is 0.5dB or more for 1 carrier operation at 28.5dBm or 2dB or more for 2 carrier operation at 30dBm total. Antenna(s) shall be installed to location providing a separation distance of at least 13.8 inches (35 cm) from any human body.

During product operation, always keep a separation distance of at least 13.8 inches (35 cm) from any connected antenna(s). Before servicing the product, the antenna(s) or cables, turn off the transmission function or the unit power if you have to get closer than the minimum separation distance. This product must be installed by professional trained RF technicians.

4 Description du produit

4.1 aperçu

La passerelle Kona Macro Gateway est une passerelle LoRaWAN IoT durcie à l'extérieur qui prend en charge la gamme complète des canaux LoRa WAN. La passerelle prend en charge une antenne LoRa externe, une antenne GPS interne, deux options d'alimentation, y compris une alimentation CC directe ou Power over Ethernet (PoE), et deux options backhaul, y compris Ethernet cuivre ou 3G / 4G sans fil. Le tableau 4 présente les modèles Kona Macro Gateway actuellement disponibles pour le marché nord-américain..

Table 4: Modèles de Kona Macro

Code de produit	Modem	Géolocalisation	Région	Mode
T0005129	LTE	Yes	North America	FDD
T0005130	LTE	No	Europe	TDD
T0005131	LTE	Yes	Europe	TDD
T0005169	LTE	No	China	470 FDD
T0005179	LTE	Yes	China	470 FDD
T0005180	LTE	No	China	780 TDD
T0005181	LTE	Yes	China	780 TDD
T0005182	LTE	No	Japan	TDD
T0005183	LTE	Yes	Japan	TDD
T0005184	LTE	No	Singapore	TDD
T0005185	LTE	Yes	Singapore	TDD
T0005186	LTE	No	Australia	TDD
T0005187	LTE	Yes	Australia	TDD
T0005247	No	No	North America	FDD
T0005248	No	Yes	North America	FDD
T0005249	No	No	Europe	TDD
T0005250	No	Yes	Europe	TDD
T0005251	No	No	China	470 FDD
T0005252	No	Yes	China	470 FDD
T0005253	No	No	China	780 TDD
T0005254	No	Yes	China	780 TDD
T0005255	No	No	Japan	TDD
T0005256	No	Yes	Japan	TDD
T0005257	No	No	Singapore	TDD
T0005258	No	Yes	Singapore	TDD
T0005259	No	No	Australia	TDD

T0005260	No	Yes	Australia	TDD
T0005261	No	No	New Zealand	TDD
T0005262	No	Yes	New Zealand	TDD
T0005263	LTE	No	New Zealand	TDD
T0005264	LTE	Yes	New Zealand	TDD
T0005265	No	No	BCIL	TDD
T0005266	No	Yes	BCIL	TDD
T0005267	LTE	No	BCIL	TDD
T0005268	LTE	Yes	BCIL	TDD
T0005269	No	No	Taiwan	TDD
T0005270	No	Yes	Taiwan	TDD
T0005271	LTE	No	Taiwan	TDD
T0005272	LTE	Yes	Taiwan	TDD
T0005273	No	No	Australia 2	FDD
T0005274	No	Yes	Australia 2	FDD
T0005275	LTE	No	Australia 2	FDD
T0005276	LTE	Yes	Australia 2	FDD
T0005277	No	No	Australia 2	TDD
T0005278	No	Yes	Australia 2	TDD
T0005279	LTE	No	Australia 2	TDD
T0005280	LTE	Yes	Australia 2	TDD
T0006031	No	No	North America 2	FDD
T0006032	No	Yes	North America 2	FDD
T0006033	LTE	No	North America 2	FDD
T0006034	LTE	Yes	North America 2	FDD

Figure 7 illustre le facteur de forme externe Kona Macro Gateway avec la vue de face sur la gauche et la vue arrière sur la droite. Tous les modèles partagent le même facteur de forme mécanique.



Figure 7: Kona Macro Gateway Dimensions communes

4.2 Interfaces physiques

Figure 8 illustre la disposition de la cloison de la Kona Macro Gateway. Tous les modèles partagent la même disposition de cloison.

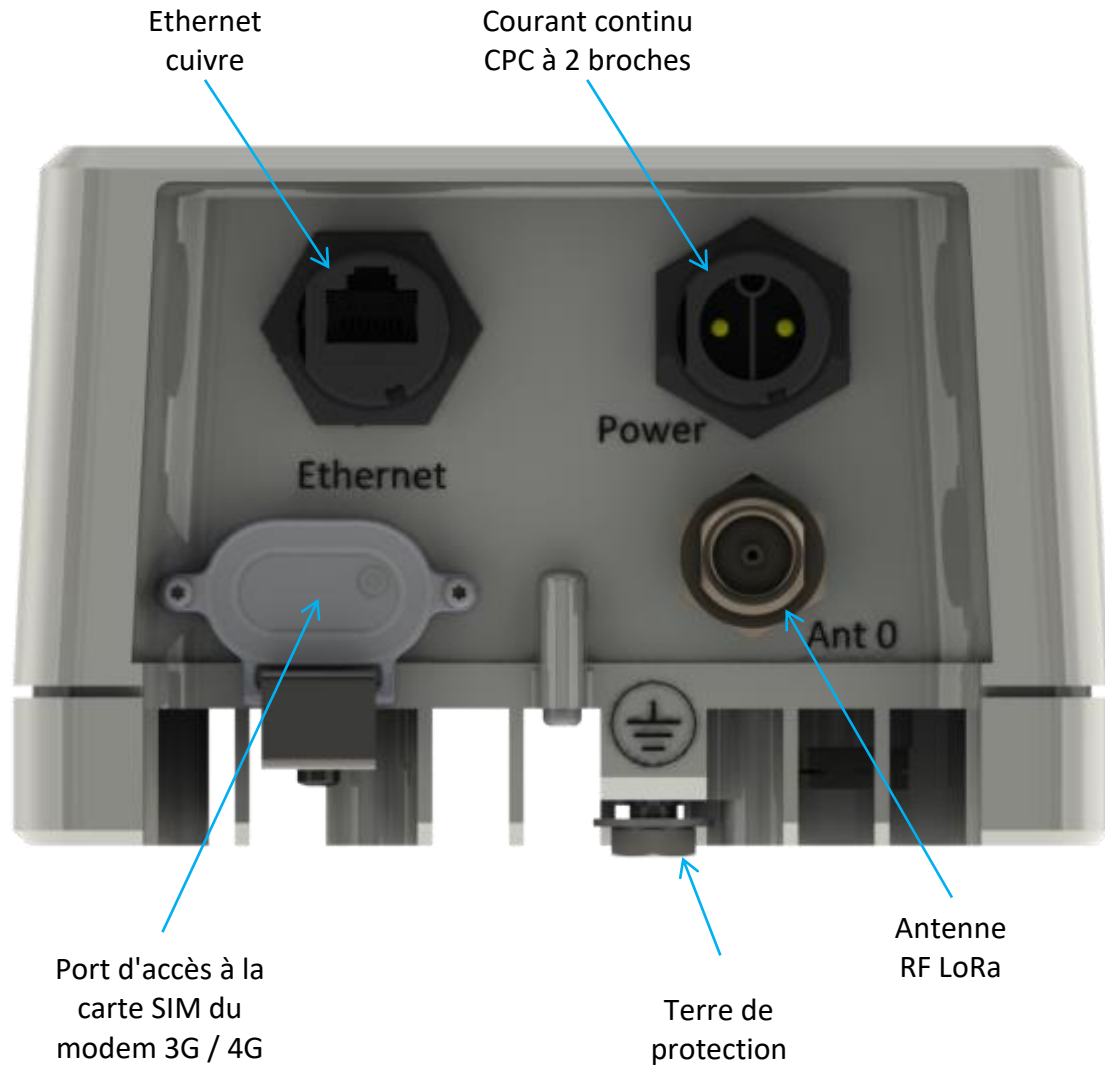


Figure 8: Kona Macro Gateway Mise en page de cloison

Tous les modules d'interconnexion du module Kona Gateway se trouvent sur la cloison inférieure. Les connecteurs RF sont imperméables à l'eau, mais tous les autres connecteurs doivent être terminés avec des connecteurs correspondants ou recouverts avec le capuchon de protection fourni lorsqu'ils ne sont pas utilisés pour être étanches à l'eau. Les types de connecteurs et leurs connecteurs correspondants sont répertoriés dans Table 5.

Table 5: Kona Macro Gateway Types de connecteurs d'interface

Interface	Type de connecteur	de	Connecteur compatible
Ports d'antenne LoRa	N-Type femelle		Standard N-Type mâle

Carte SIM pour modem 3G / 4G	SIM card	Norme de l'industrie, située derrière la couverture du port d'accès de la carte SIM
Port Ethernet cuivre	Fileté, circulaire, RJ-45	Connecteur d'accouplement approuvé Shenzhen Chogori Technology Co., Ltd. (réf. 33000111-02 ou équivalent)
Port d'entrée d'alimentation CC directe	Fileté, circulaire, 2 contacts DC	Connecteur d'accouplement approuvé par Shenzhen Chogori Technology Co., Ltd. (réf. 23002211-02, ou équivalent)
Terre Terre	Terminal de protection du châssis	Cosse à 2 trous standard de l'industrie, espacement de 1/4 x 0,75 "

4.3 Spécifications

Les spécifications de Kona Macro Gateway sont répertoriées dans Table 6.

Table 6: Kona Macro Gateway Spécifications

Attribute	Spécifications
Dimensions	222.2mm (8.7") large x 101mm (4.0") Profond x 287.3mm (11.3") grand
Poids	5.1 kg (11.3 lbs)
Température de fonctionnement	-40 ° C à 60 ° C (-40 ° F à 140 ° F) au niveau de la mer Y compris le chargement solaire.
Humidité relative	10% to 100%
Altitude de fonctionnement	-60 m to 4,000 m (-197 ft to 13,123 ft)
Entrée d'alimentation, DC direct	48 Vcc nominal, plage de fonctionnement de 37 à 57 Vcc. Flux de référence référencé positif ou négatif. Source SELV requise. 5A protection de surintensité d'entrée recommandée (2A minimum à 10A maximum autorisé).
Entrée d'alimentation, PoE	802.3 at (Type 2 Class 4), Mode A ou Mode B ou Mode 4 paires.
Consommation d'énergie	20 W maximum
Étanchéité aux intempéries	UL Type 6 (IP-67)
Conformité réglementaire	CSA/UL 60950-1 & CSA/UL 60950-22, CE IEC 60950-1

	FCC Pt. 15, RSS-247, EN 301 489-1 FCC Pt. 27 (North American 2 variante seulement)
Protection contre les surtensions	Toutes les interfaces sont protégées aux niveaux primaires.

5 Installation

5.1 Précautions de sécurité

- La passerelle Kona Macro Gateway doit être installée dans un endroit à accès restreint (de sorte que le contact avec la passerelle par des personnes qui ne sont pas en service est peu probable).
- La passerelle externe Kona Macro peut devenir chaude au toucher pendant le fonctionnement normal à des températures ambiantes élevées.
- La passerelle Kona Macro Gateway ne dispose pas de pièces internes réparables sur site. Le module passerelle ne doit être ouvert que par un centre de service agréé TEKTELIC.
- Toutes les pratiques d'installation doivent être conformes aux codes électriques locaux et nationaux.
- Ne travaillez pas sur le système pendant les périodes d'activité de la foudre.
- La Kona Macro Gateway est considérée comme un équipement connecté en permanence. La connexion de mise à la terre de protection (c.-à-d. La cosse à deux trous à la masse du châssis) est toujours requise.
- Assurez-vous que la connexion à la terre de protection de la passerelle Kona Macro Gateway est correctement terminée avant de connecter toute autre interface.
- La passerelle Kona Macro Gateway contient une suppression de surtension de foudre primaire sur le port d'alimentation CC direct, le port Ethernet cuivre et le port d'antenne RF LoRa. Les parafoudres primaires ont la capacité de relier l'interface à la limite d'isolation du châssis pendant les surtensions. Assurez-vous que la connexion de mise à la terre de protection est toujours en place.
- Assurez-vous que la Kona Macro Gateway est sécurisée pour éliminer tout risque physique pour les personnes ou les biens. La passerelle doit être montée de manière sécurisée conformément aux instructions de montage avant toute connexion et opération de câble.
- La passerelle Kona Macro Gateway ne contient pas de dispositif de déconnexion de l'alimentation; un dispositif de déconnexion facilement accessible doit être incorporé à l'extérieur de la Kona Macro Gateway.
- La Kona Macro Gateway alimentée en courant continu doit être alimentée par un dispositif de protection contre les surintensités d'au plus 10 A. La protection contre les surintensités doit avoir la capacité d'interruption de courant appropriée et doit être intégrée au conducteur non mis à la terre (s) de l'alimentation DC Kona Macro Gateway.

- Pour l'entrée d'alimentation CC directe, la broche positive DC doit être à un potentiel positif par rapport à la broche négative DC. Si la polarité est inversée, l'unité ne subira pas de dommages mais ne fonctionnera pas tant que la polarité de la connexion n'aura pas été corrigée.
- Bien que la Kona Macro Gateway puisse être alimentée par l'entrée CC directe ou l'entrée PoE (Power over Ethernet), l'application simultanée de l'alimentation aux deux entrées peut entraîner un fonctionnement inattendu et doit être évitée.
- La source d'alimentation Kona Macro Gateway doit répondre aux exigences SELV.
- Assurez-vous toujours que le port d'accès à la carte SIM du modem 3G / 4G est correctement scellé après l'installation d'une carte SIM.

5.2 Déballage et inspection

Les éléments suivants doivent être pris en compte lors du déballage d'une nouvelle Kona Macro Gateway.

1. Inspecter le carton d'expédition et signaler tout dommage important à TEKTELIC.
2. Le déballage doit être effectué dans un endroit propre et sec lorsque cela est possible.
3. Ne jetez pas la boîte d'expédition ou les inserts en mousse car ils seront nécessaires si une unité est retournée pour réparation ou reconfiguration. Required

5.3 Équipement pour l'installation

Les outils suivants sont requis pour installer le module Kona Macro Gateway:

1. Un jeu de douilles métriques à 6 points et une clé dynamométrique.
2. Composé anti-oxydant (NO-OX-ID, Penetrox, Noalox, Ox-Gard ou équivalent).
3. Une petite brosse métallique.
4. Un chiffon propre.
5. Kit de protection contre les intempéries pour le connecteur RF (kit de protection contre les intempéries sans fil Scotch, WK-101 recommandé).
6. Des colliers de serrage de taille appropriée pour le montage sur poteau ou des vis ou boulons appropriés (quatre tailles M8) avec les ancrages requis en fonction de la construction du mur pour un montage mural.

5.4 Montage de la passerelle Kona Macro

Kona Macro Gateway est conçu pour être monté sur un poteau ou un mur vertical en utilisant le support de montage fourni qui se fixe aux quatre emplacements de vis à l'arrière du module illustré dans Figure 9.

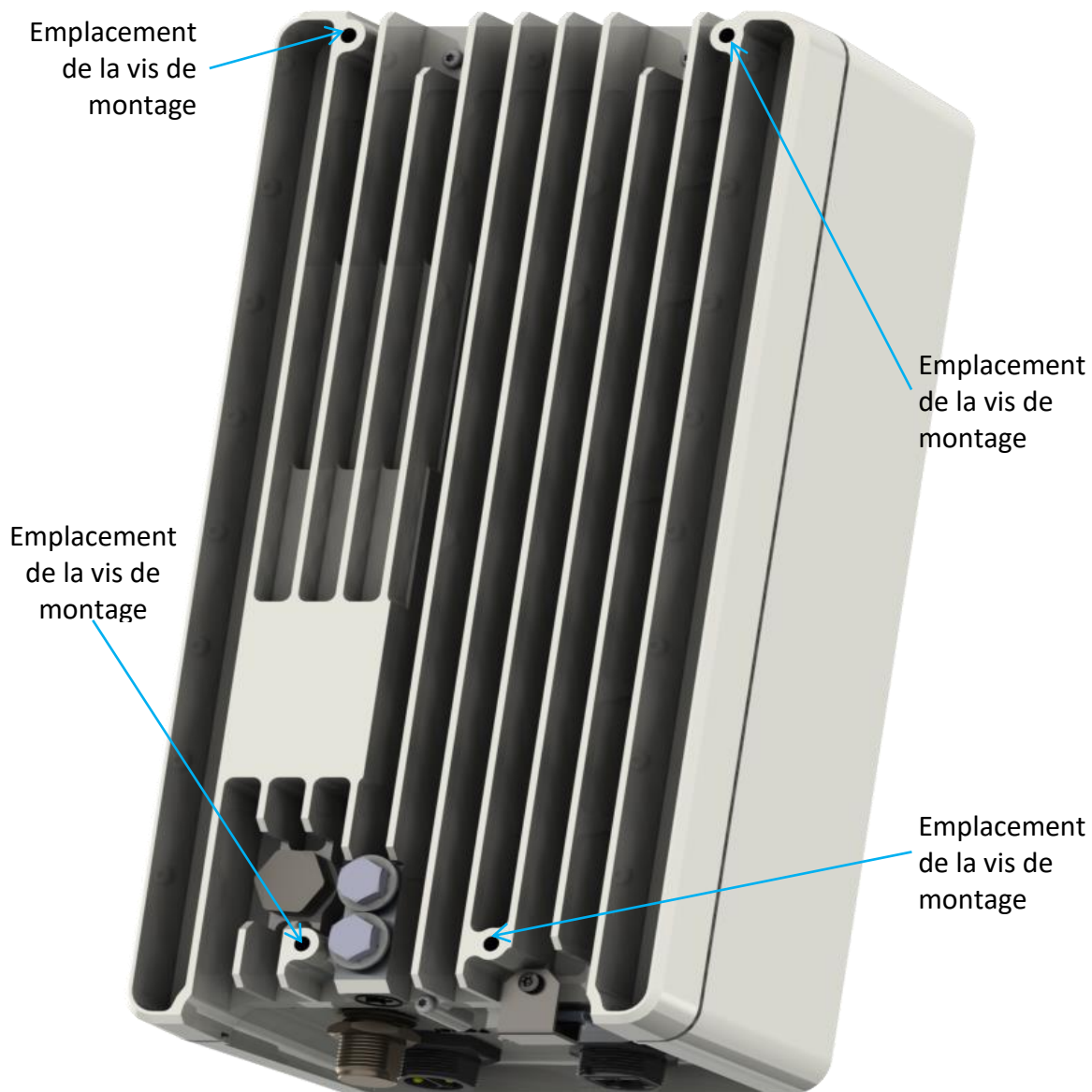


Figure 9: Emplacements des vis de fixation du support de montage Kona Macro Gateway

Le support de montage est une pièce unique qui se boulonne sur la surface arrière de la passerelle à l'aide de la quincaillerie fournie (quatre boulons M6x1.0 - 14 mm avec rondelles de blocage plates et en étoile) comme illustré dans Figure 10. Le module passerelle doit être orienté avec la cloison du connecteur vers le bas, vers la terre.

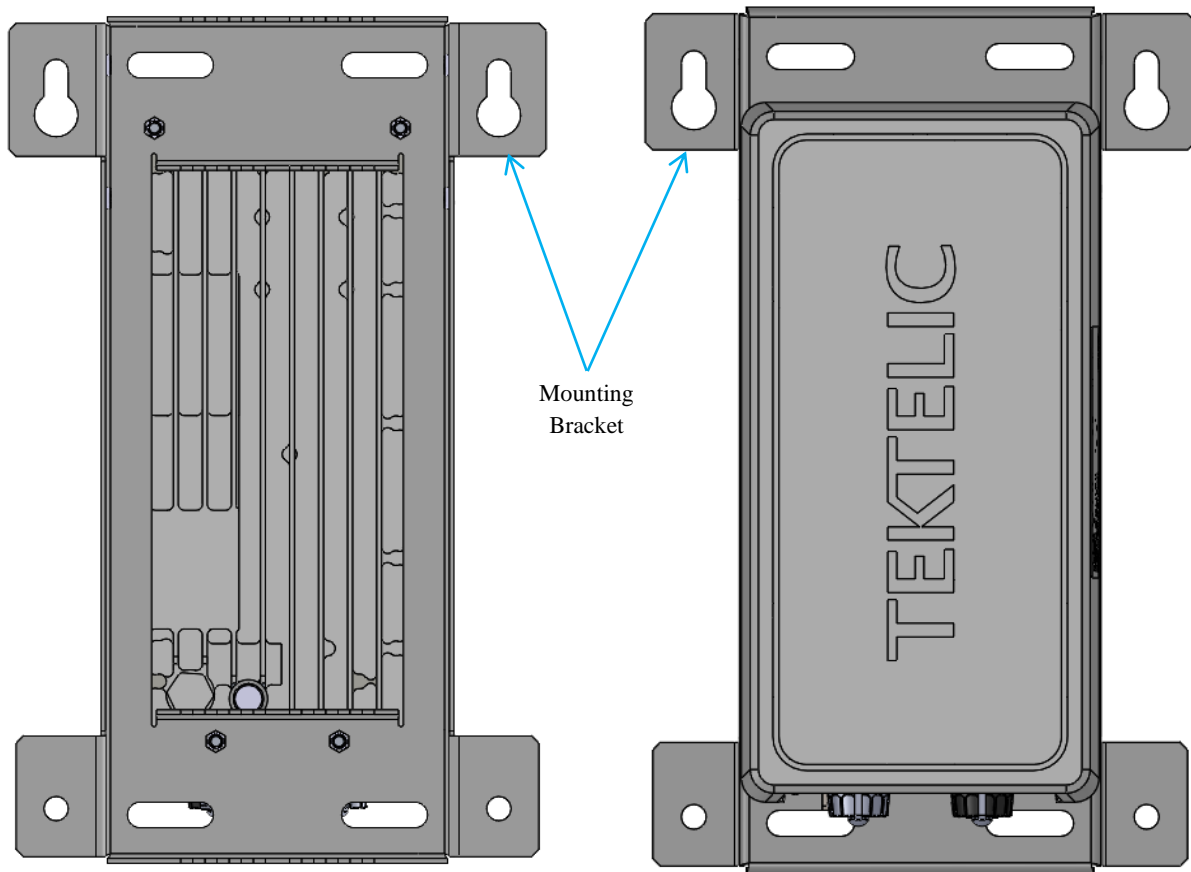


Figure 10: Kona Macro Gateway Module avec support de montage

Assurez-vous que la structure sur laquelle la passerelle est montée est sécurisée et capable de supporter une charge permanente d'au moins 136 kg (300 lb). La zone ci-dessous doit être libre de toute obstruction à l'entrée de câble.

La procédure de montage mural Kona Macro Gateway est la suivante:

1. Visser le support de montage mural au module de passerelle à l'aide des boulons et des rondelles fournis.
2. Installez 2 boulons M8 fournis dans le mur à un espacement central de 139,7 mm (5,5"), laissant les têtes en saillie avec un espace de 2 mm de la surface du mur.
3. Accrochez la Kona Macro Gateway avec le support des deux boulons en insérant les fentes en trou de serrure au sommet du support sur les 2 boulons et en serrant les boulons..
4. Insérer et serrer deux boulons M8 supplémentaires fournis dans le site à travers les trous au bas du support..

La procédure de montage du poteau Kona Macro Gateway est la suivante:

1. Visser le support de montage mural au module de passerelle à l'aide des boulons et des rondelles fournis.
2. Tout en supportant provisoirement la passerelle avec le support, installez les deux colliers de serrage fournis sur site, un à travers chacun des points de fixation de la pince fendue supérieure et inférieure..

5.5 Installation du câble de masse

La passerelle extérieure Kona Macro est considérée comme un équipement connecté en permanence et nécessite un conducteur de terre de protection (PEG) connecté en permanence. La connexion de mise à la terre de protection se fait au moyen d'une cosse à double trou centrale de 1/4 x 0,75 po jusqu'au point de terminaison au sol illustré à Figure 11. La jauge de câble de masse recommandée est # 10 AWG.

Le système de mise à la terre Kona Macro Gateway doit être conforme aux codes électriques locaux et nationaux. Le conducteur de terre de protection terminé au point de cosse à double trou est obligatoire et doit être la première connexion faite à la Kona Macro Gateway pendant l'installation. Un routage et une terminaison adéquats de ce câble sont la clé d'une performance de tenue à la foudre robuste; dans les installations à haute susceptibilité, tout doit être mis en œuvre pour minimiser l'inductance de la connexion et la résistance au sol.

Les étapes d'installation du câble au sol sont les suivantes:

1. Abraser légèrement la surface de la zone de coulée avec une fine brosse métallique pour enlever la couche d'oxyde.
2. Utilisez un chiffon propre pour enlever les débris de cette surface.
3. Enduire immédiatement la surface de contact d'une fine couche de composé anti-oxydant.
4. Installez le câble de mise à la terre à travers sa cosse à 2 trous sur le point de masse du châssis à l'aide des deux boulons de 1/4 - 20 x 1/2 po fournis avec les rondelles de blocage plates et en étoile, serrées à 10,4 Nm..

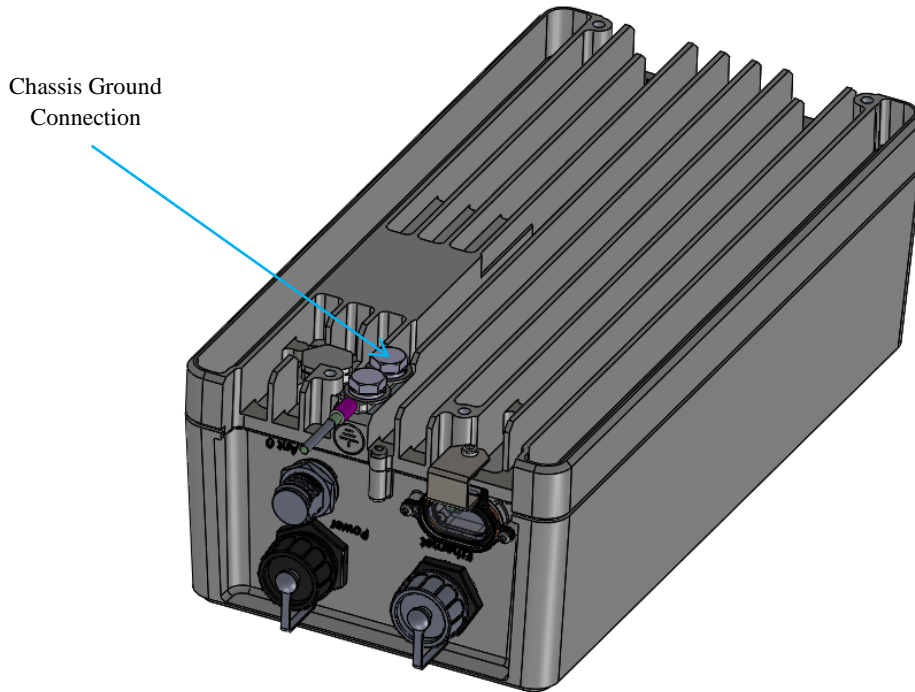


Figure 11: Connexion au sol du châssis

5.6 Installation directe du câble d'alimentation CC

L'alimentation CC directe Kona Macro Gateway se termine par un connecteur en plastique circulaire à deux broches (CPC) dédié sur la cloison. L'entrée d'alimentation CC directe est isolée du châssis (terre) à l'exception des supresseurs de surtension primaires. Une dérivation de l'alimentation en courant continu est normalement reliée à la terre à l'extérieur de la Kona Macro Gateway (généralement à la source d'alimentation par convention).

Le câble d'alimentation CC doit être conçu pour une application extérieure conformément aux codes électriques locaux et nationaux.

Le connecteur CC direct CPC doit être conforme aux spécifications Table 5 et doit suivre la polarité du signal identifiée dans Figure 12.



Figure 12: Polarité de connexion du connecteur CPC d'alimentation CC directe

5.7 Installation du câble RF

L'installation de Kona Macro Gateway nécessite une connexion à une antenne RF LoRa. Le câble RF se branche sur le connecteur N-Type situé sur la cloison de la passerelle. Serrez le connecteur de 1,7 à 2,3 Nm (15 à 20 po · lbs). L'interface du connecteur de type N à un câble n'est pas étanche et doit être scellée pour être utilisée à l'extérieur. TEKTELIC recommande de scotcher avec le kit d'imperméabilisation sans fil Scotch, WK-101. Suivez les procédures d'enregistrement décrites par le fournisseur de ce système de bande.

Notez que l'antenne du modem 3G / 4G est interne à la Kona Macro Gateway.

5.8 Installation du câble Ethernet en cuivre

Le port Ethernet Kona Macro Gateway peut être utilisé temporairement pour la mise en service et la maintenance ou peut être connecté en permanence pour le backhaul. Lorsque le port n'est pas utilisé, le capuchon de protection résistant aux intempéries doit être installé. Lorsque le port est un connecteur permanent pour le backhaul, le connecteur d'accouplement étanche Table 5 doit être utilisé.

Le câble Ethernet doit avoir un minimum de 24 conducteurs AWG et doit être évalué pour une application extérieure conformément aux codes électriques locaux et nationaux.

6 déclarations de conformité radio

Commission fédérale des communications

Cet appareil est conforme à la partie 15 des règles FCC. Le fonctionnement est soumis aux deux conditions suivantes:

1. Cet appareil ne peut pas causer d'interférences nuisibles, et
2. Cet appareil doit accepter toute interférence reçue, y compris les interférences susceptibles de provoquer un fonctionnement indésirable.

Les changements ou modifications non expressément approuvés par la partie responsable de la conformité peuvent annuler l'autorité de l'utilisateur à utiliser l'équipement.

Cet équipement a été testé et déclaré conforme aux limites d'un appareil numérique de classe B, conformément à la partie 15 des règles de la FCC. Ces limites sont conçues pour fournir une protection raisonnable contre les interférences nuisibles dans une installation résidentielle. Cet équipement génère des utilisations et peut émettre de l'énergie radiofréquence et, s'il n'est pas installé et utilisé conformément aux instructions, peut provoquer des interférences nuisibles aux communications radio. Cependant, il n'y a aucune garantie que des interférences ne se produiront pas dans une installation particulière. Si cet équipement cause des interférences nuisibles à la réception radio ou télévision, ce qui peut être déterminé en éteignant et en rallumant l'équipement, l'utilisateur est encouragé à essayer de corriger l'interférence par l'une des mesures suivantes:

- Réorienter ou déplacer l'antenne de réception.
- Augmentez la distance entre l'équipement et le récepteur.
- Connectez l'équipement à une prise d'un circuit différent de celui auquel le récepteur est connecté.
- Consulter le revendeur ou un technicien radio / TV expérimenté pour obtenir de l'aide.

Pour respecter les limites d'exposition RF FCC / IC pour la population générale / exposition incontrôlée, les antennes utilisées pour cet émetteur doivent être installées de manière à fournir une distance de séparation d'au moins 30 cm par rapport à toutes les personnes et ne doivent pas être co-localisées toute autre antenne ou émetteur. Ce produit doit être installé par des techniciens RF qualifiés.

Industrie Canada

Cet appareil est conforme aux normes RSS exemptes de licence d'Industrie Canada. Le fonctionnement est soumis aux deux conditions suivantes:

1. Cet appareil ne peut pas causer d'interférences, et
2. Cet appareil doit accepter toute interférence, y compris les interférences susceptibles de provoquer un fonctionnement indésirable de l'appareil.

Cet émetteur radio 22504-T0005158 a été approuvé par Industrie Canada pour fonctionner avec les types d'antenne énumérés ci-dessous avec le gain maximal admissible indiqué. Les types d'antennes non inclus dans cette liste, dont le gain est supérieur au gain maximal indiqué pour ce type, sont strictement interdits pour une utilisation avec cet appareil.

L'impédance d'antenne requise est de 50 ohms.

Seules les antennes omnidirectionnelles avec un gain maximum de 8dBi peuvent être utilisées pour les radios LoRa de ce produit si la perte d'insertion du câble à 900 MHz est de 0,5dB ou plus pour 1 porteuse à 28,5dBm ou 2dB ou plus pour 2 porteuses à 30dBm au total. Les antennes doivent être installées à un endroit offrant une distance de séparation d'au moins 13,8 pouces (35 cm) de tout corps humain.

Pendant le fonctionnement du produit, gardez toujours une distance de séparation d'au moins 13,8 pouces (35 cm) de toute antenne connectée. Avant de réparer le produit, l'antenne ou les câbles, désactivez la fonction de transmission ou l'alimentation de l'unité si vous devez vous rapprocher de la distance de séparation minimale. Ce produit doit être installé par des techniciens RF qualifiés.